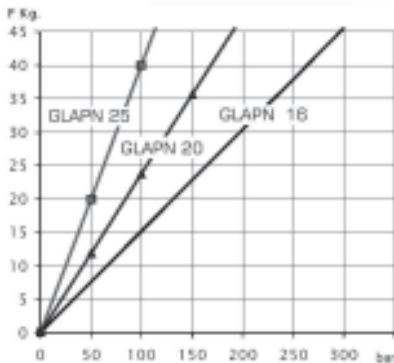
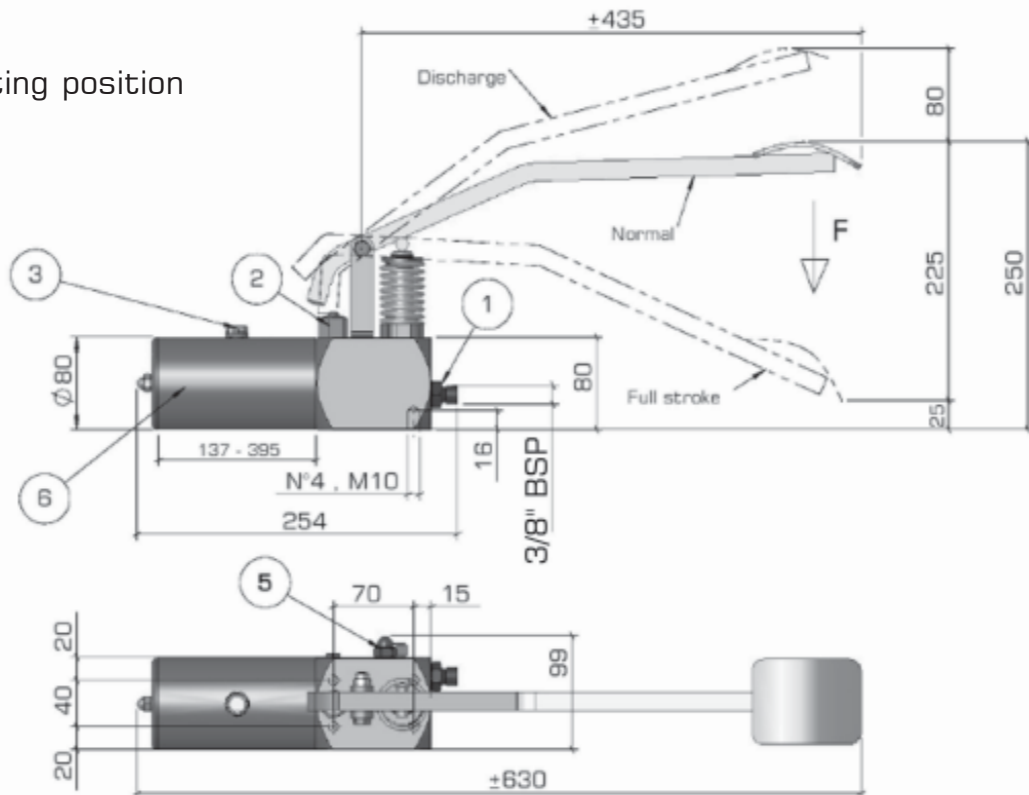


Pump Type GLAPN

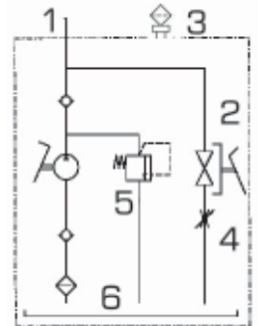
Single-acting with foot pedal operation

Mounting position




Pressure / Force on the pedal diagram

- 1 - Pressure port 3/8" BSP
- 2 - Release valve
- 3 - Filler plug
- 4 - Oil flow return setting
- 5 - Max. pressure setting
- 6 - Tank **



Materials : *

Mounting position: only as dwg

ORDER CODE	TYPE	**TANK lt	DELIVERY cm3	PRESSURE bar	
PGA00GLAPN16000000	GLAPN16	0,5	3,2	250	8,3
PGA00GLAPN20000000	GLAPN20	0,5	5,0	160	8,3
PGA00GLAPN25000000	GLAPN25	0,5	7,5	100	8,3

* Options : Steel or alluminium pump housing and tank

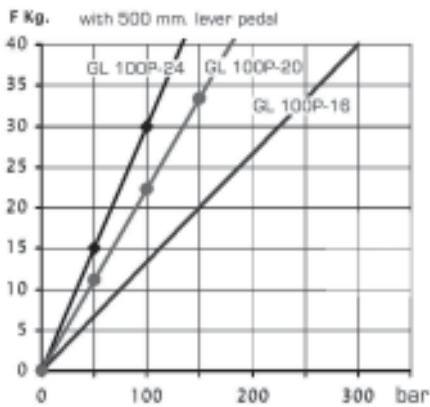
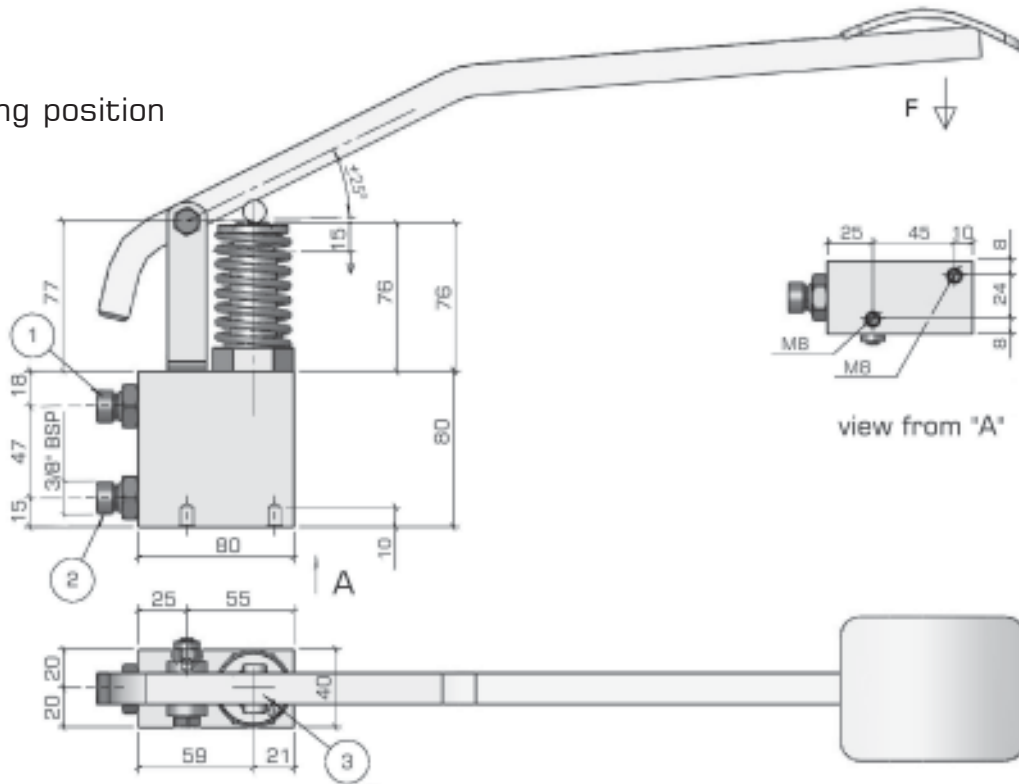
** Tank available also with capacity 0,75-1,0-1,5 and 2 lt

Dimensions and characteristics not binding. Modifications reserved without prior notice.

Pump Type GL 100 P ...

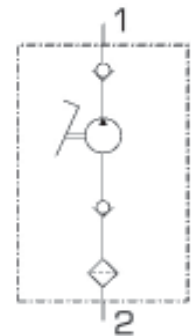
Single-acting with foot pedal operation

Mounting position




- 1 - Pressure port 3 / 8" BSP
- 2 - Suction port 3 / 8" BSP

Materials :
- Steel pump housing



Mounting position: only as dwg

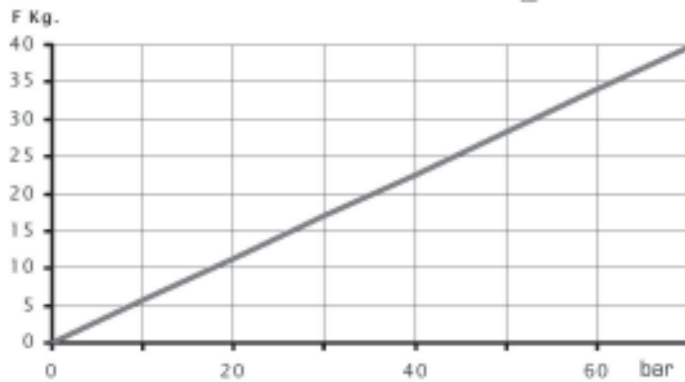
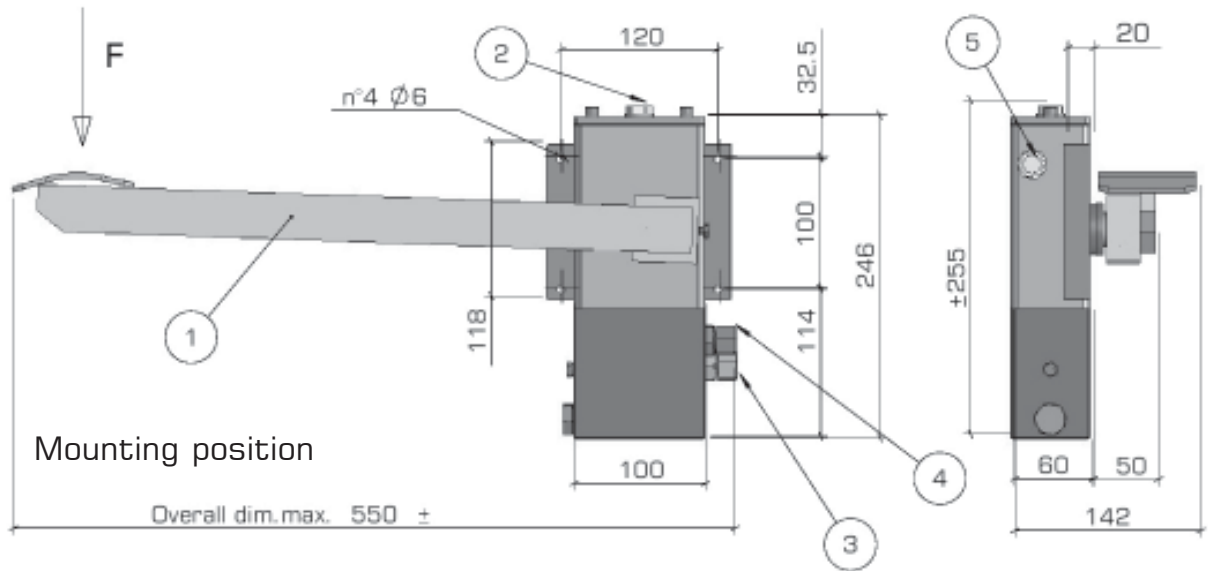
Pressure / Force on the pedal diagram

ORDER CODE	TYPE	DELIVERY cm3	PRESSURE bar	
PGA00GL100P-160000	GL100P-16	3,2	300	2,5
PGA00GL100P-200000	GL100P-20	5,0	180	2,5
PGA00GL100P-240000	GL100P-24	7,5	130	2,5

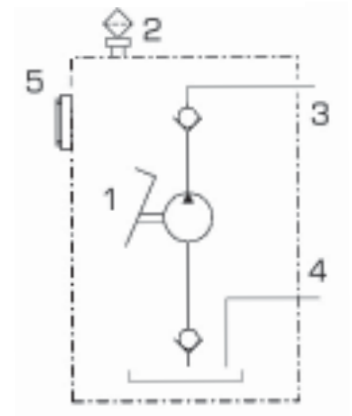
Dimensions and characteristics not binding. Modifications reserved without prior notice.

Pump Type GL 138 P

Single-acting with foot-pedal operation



Pressure / Force on the lever diagram




- 1 - Foot pedal
- 2 - Filler plug
- 3 - Pressure port - DIN 2353 8S
- 4 - Return port - DIN 2353 8L
- 5 - Oil level

Materials :

- Steel pump housing
- Welded sheet steel tank

Mounting position: only as dwg

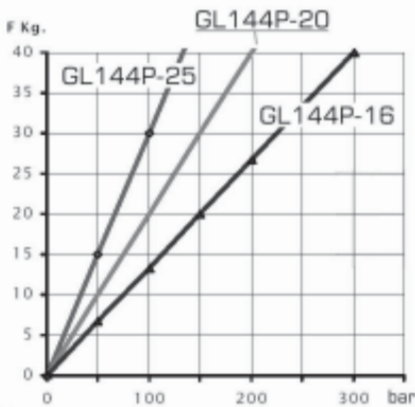
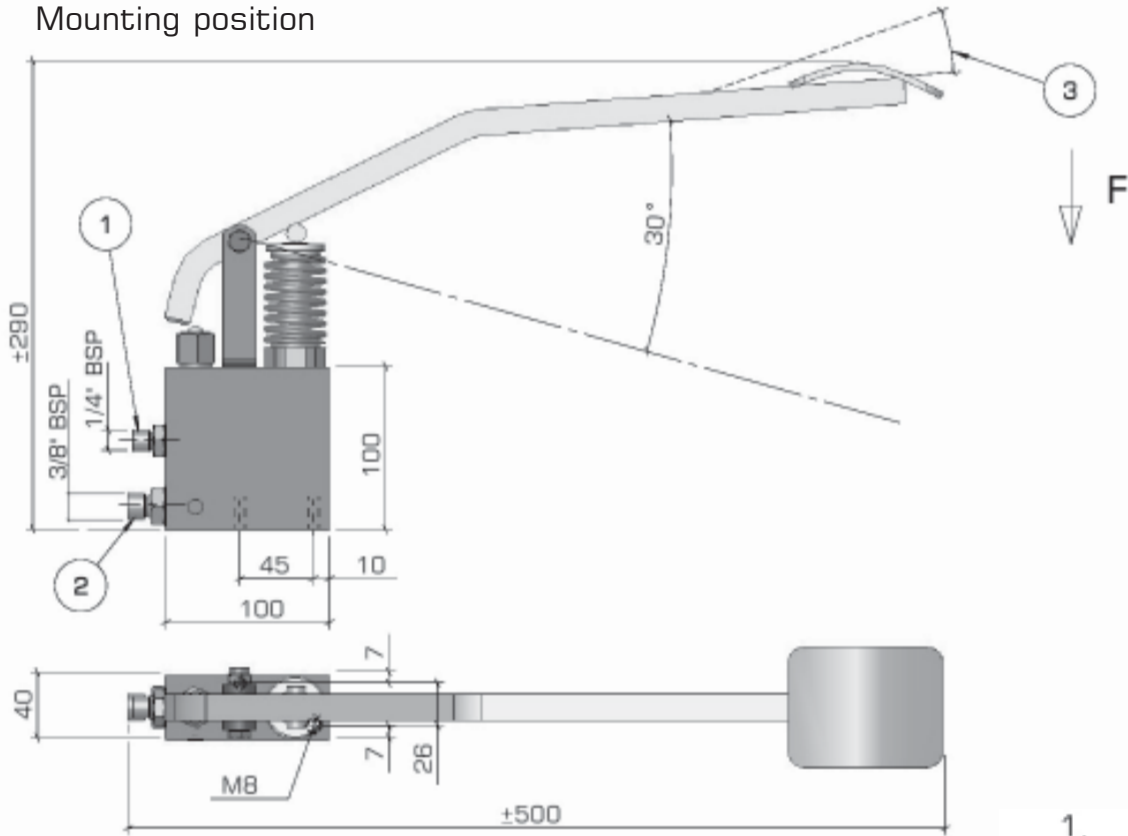
ORDER CODE	TYPE	TANK lt	DELIVERY cm ³	PRESSURE bar	
PGA00GL138P0000000	GL 138 P	0,5	17,0	60	10,0

Dimensions and characteristics not binding. Modifications reserved without prior notice.

Pump Type GL 144 P

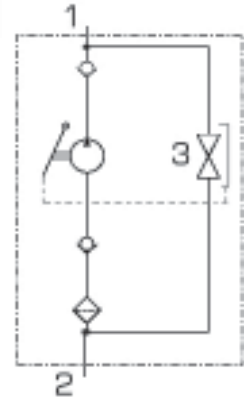
Single-acting with foot-pedal function

Mounting position




- 1 - Pressure port 1/4" BSP
- 2 - Suction port 3/8" BSP
- 3 - Release field

Materials :
- Steel pump housing



Pressure / Force on the lever diagram

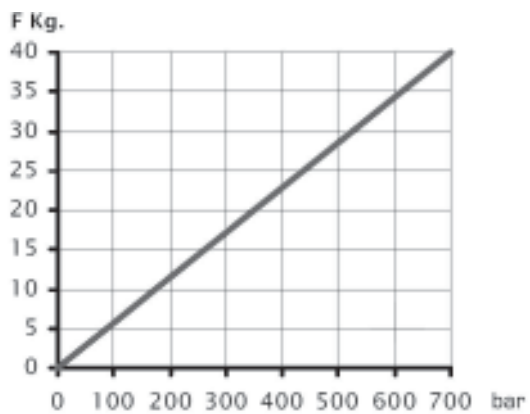
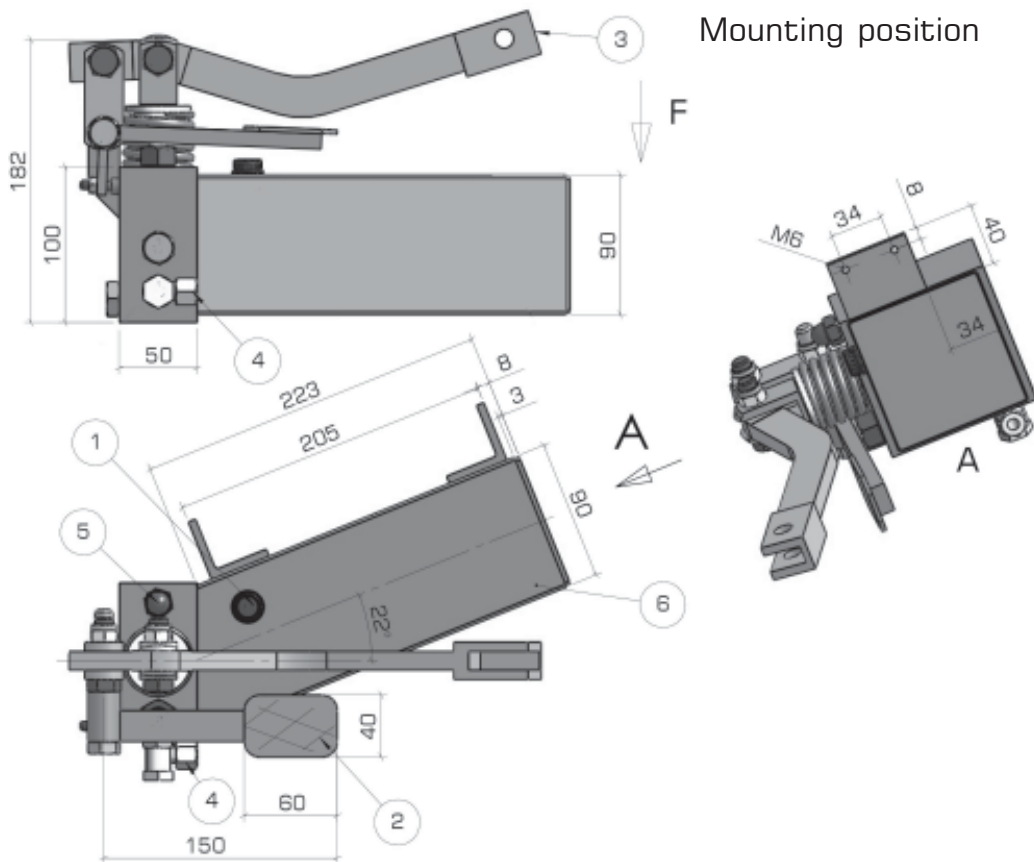
Mounting position: only as dwg

ORDER CODE	TYPE	DELIVERY cm ³	PRESSURE bar	
PGA00GL144P-160000	GL144P-16	3,6	250	3,5
PGA00GL144P-200000	GL144P-20	5,6	160	3,5
PGA00GL144P-240000	GL144P-24	8,1	100	3,5

Dimensions and characteristics not binding. Modifications reserved without prior notice.

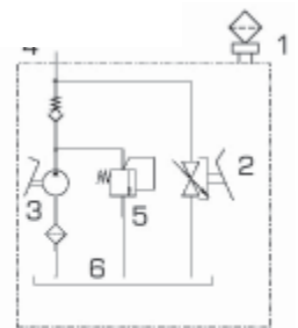
Pump Type GL 219

Single-acting function



Pressure / Force on the pedal diagram


- 1 - Filler plug
- 2 - Release foot pedal
- 3 - Pumping foot pedal
- 4 - Pressure port
- 5 - Pressure valve setting
- 6 - Tank



Materials :

- Steel pump housing
- Welded sheet steel tank

Mounting position: only as dwg

ORDER CODE	TYPE	TANK lt	DELIVERY cm ³	PRESSURE bar	
PGA00GL21900000000	GL 219	1,2	19,0	650	10,0

Dimensions and characteristics not binding. Modifications reserved without prior notice.