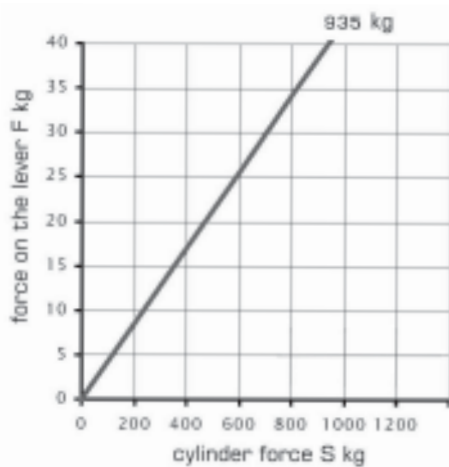
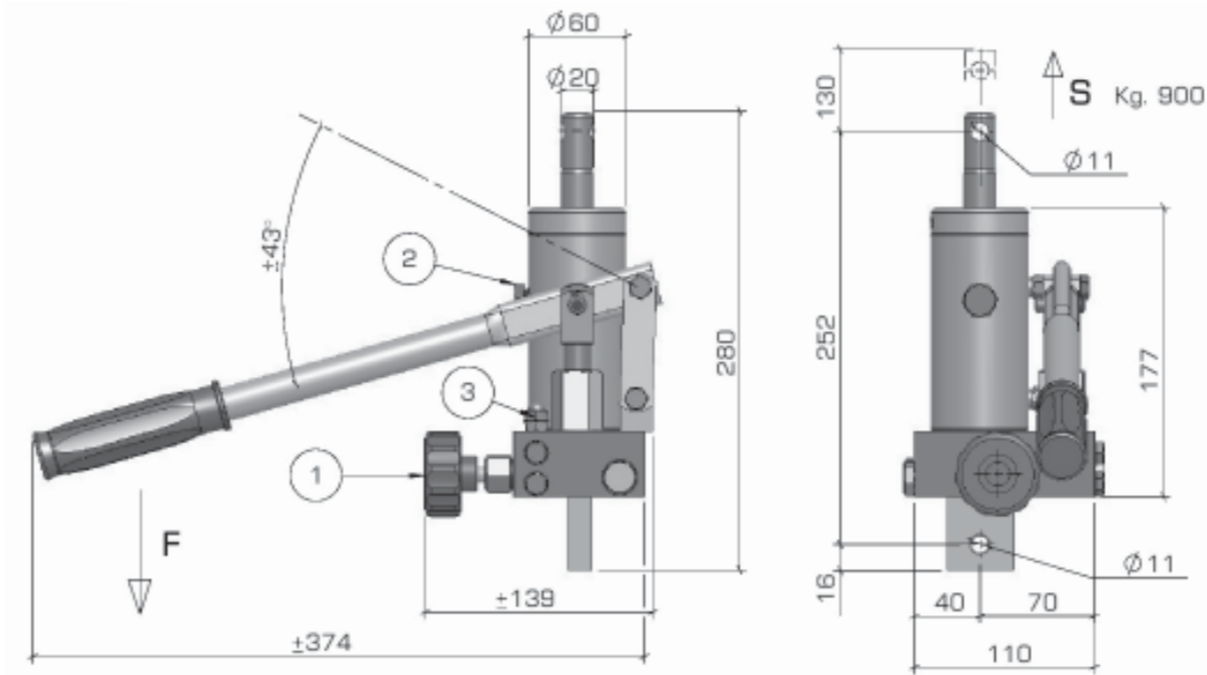


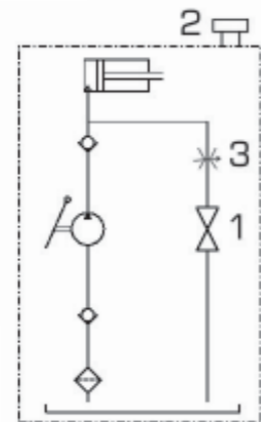
Pump Type GL12 C

Single-acting function with built-in single-acting cylinder




- 1 - Release handknob
- 2 - Filler plug
- 3 - Release throttle setting

Materials :
 - Steel pump housing
 - Tube steel cyl.housing



Cyl. force / Force on the lever diagram

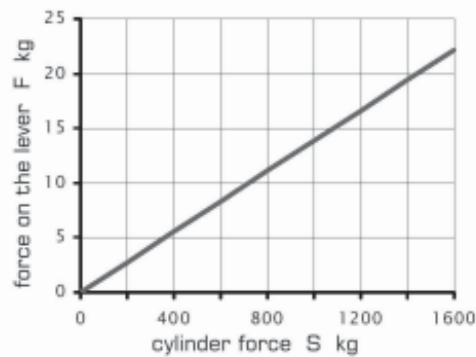
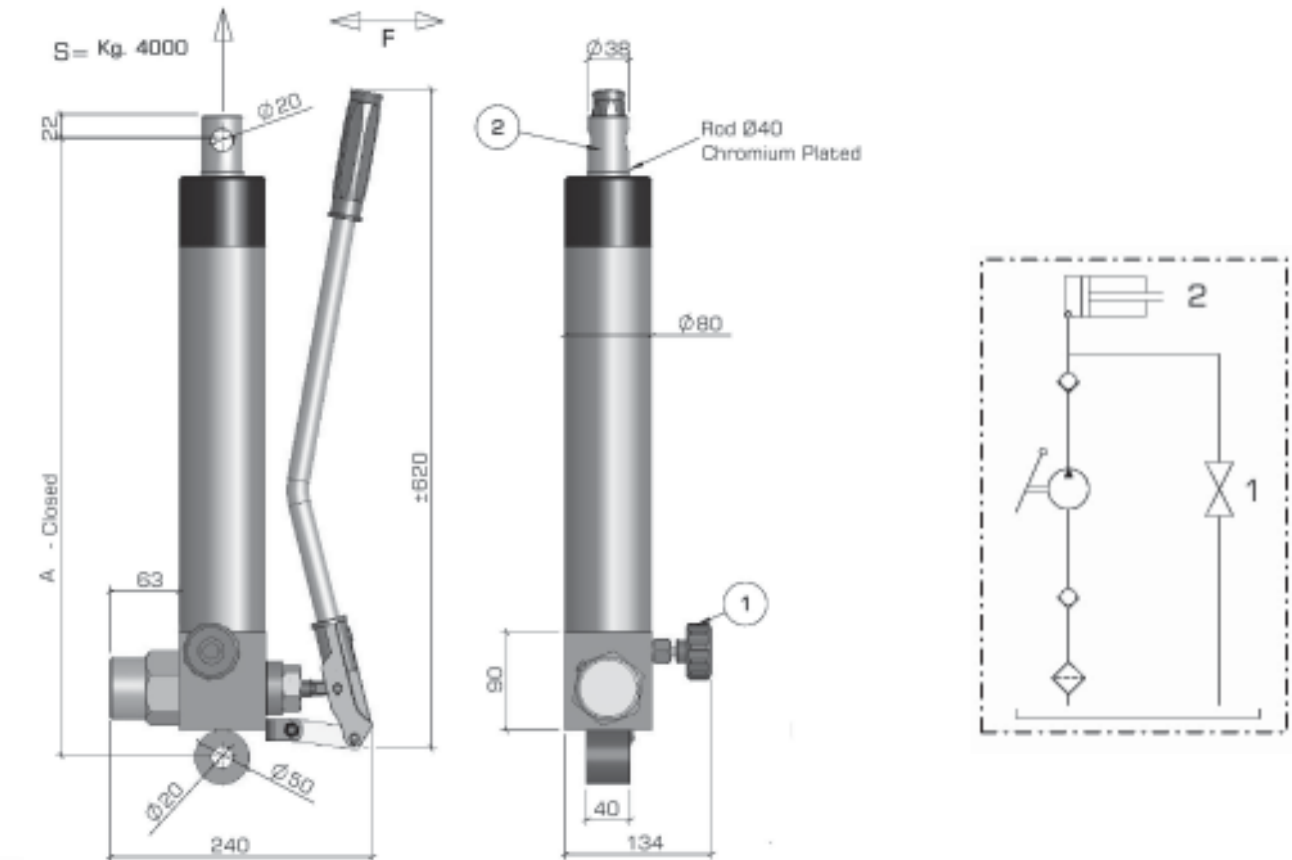
Mounting position: only as dwg
 (cyl.rod up)

ORDER CODE	TYPE	STROKE mm	CYL. FORCE S kg	ROD STROKE x cycle mm	
PGA00GL12C00000000	GL12C	130	900	12,0	6,0

Dimensions and characteristics not binding. Modifications reserved without prior notice.

Pump Type GL 21 C 40

Double-stroke function
with built-in single acting cylinder




- 1 - Release Handknob
- 2 - Rod

Materials :
 - Steel pump housing
 - Tube steel cyl. housing

Mounting position:
 only as dwg (cyl. rod up)

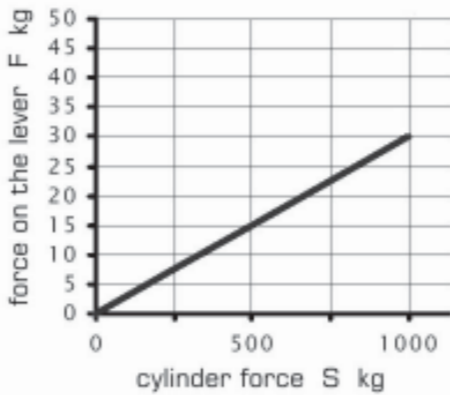
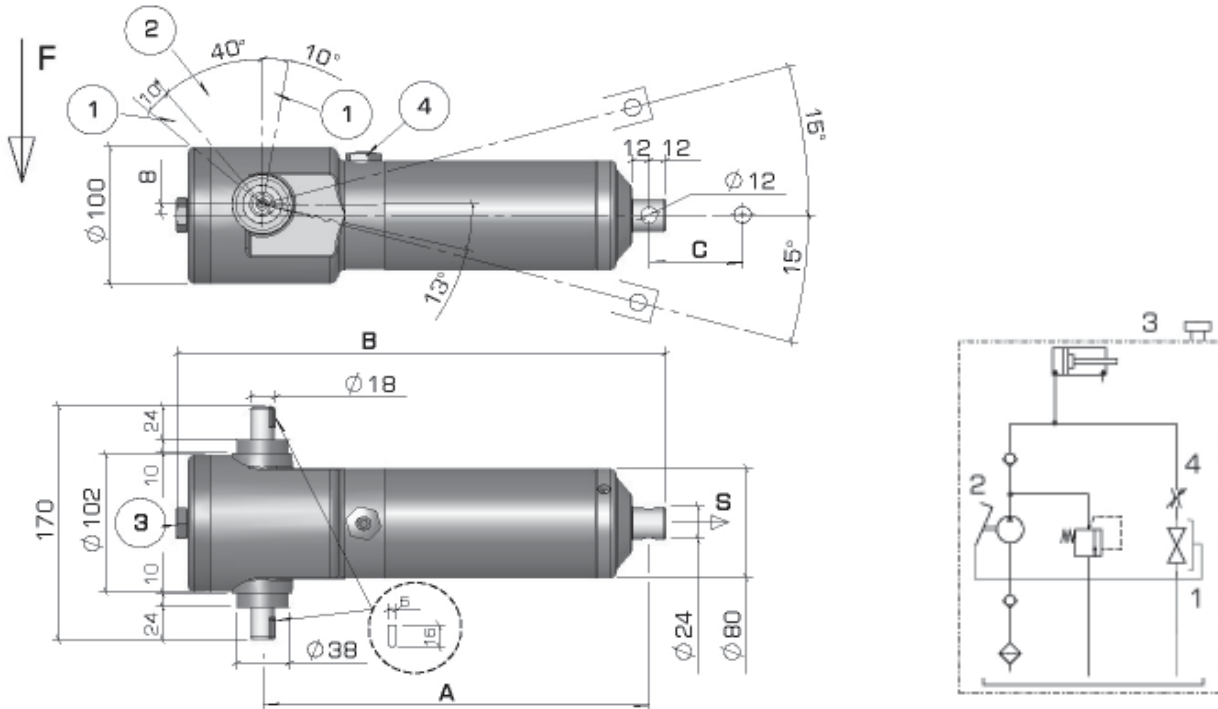
Cyl. force / Force on the lever diagram

ORDER CODE	TYPE	STROKE mm	CYL. FORCE S kg	STROKE x cycle mm	A mm	
PGA00GL21C40-30500	GL21C40-305	305	4000	12,0	560	13,2
PGA00GL21C40-60000	GL21C40-600	600	4000	12,0	833	26,0

Dimensions and characteristics not binding. Modifications reserved without prior notice.

Pump Type GL 24 C...

Single-acting function
with built-in single acting cylinder




- 1 - Pedal release field
- 2 - Pedal pumping field
- 3 - Filler plug
- 4 - Release throttle setting

Materials :

- Alluminium pump housing
- Zinc plated steel cylinder housing and rod protection
- Alluminium cylinder upper bushing

Mounting position: as dwg or vertical cyl.rod up

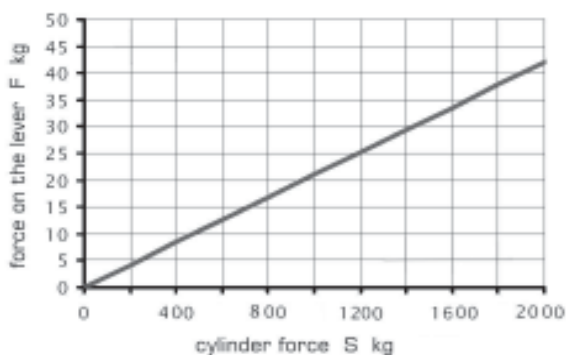
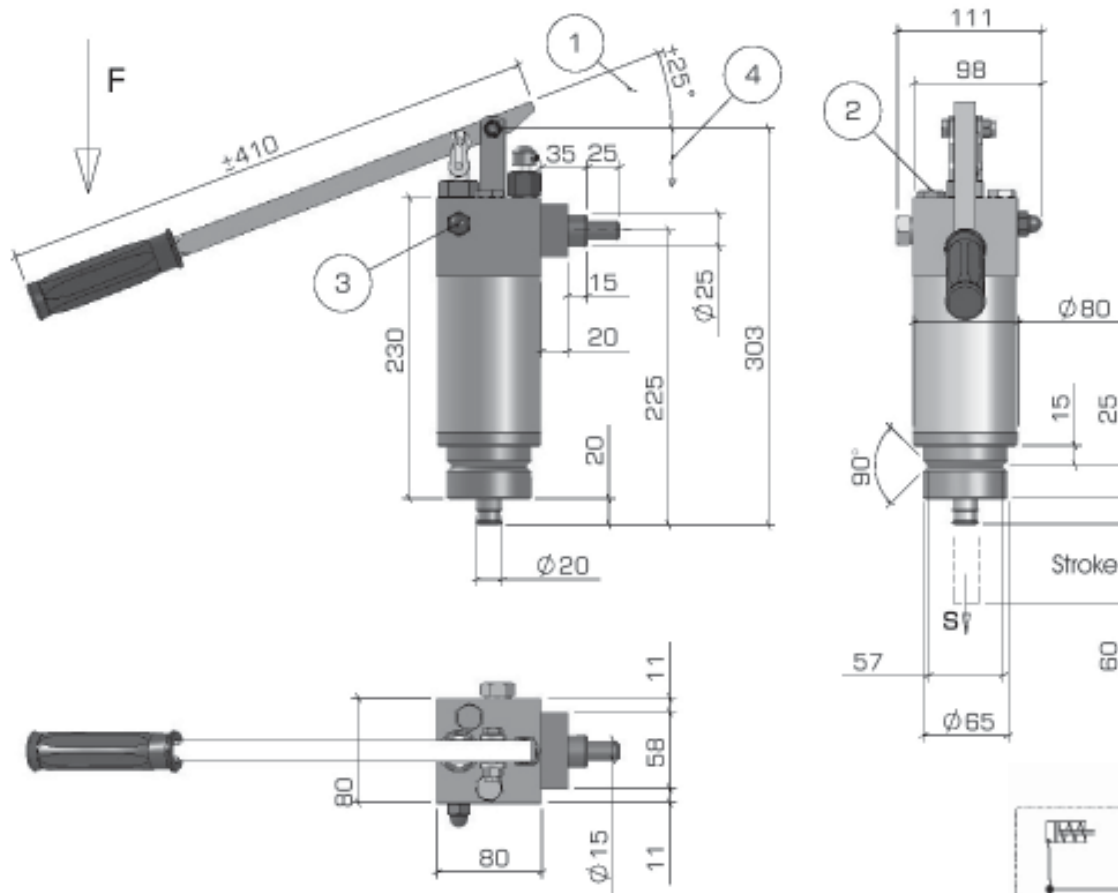
Cyl. force / Force on the lever diagram

ORDER CODE	TYPE	STROKE C mm	CYL. FORCE S kg	STROKE x cycle mm	A mm	B mm	
PGA00GL24C-1350000	GL24 C-135	135	980	8,0	275	335	6,0
PGA00GL24C-2000000	GL24 C-200	200	980	8,0	355	415	7,5
PGA00GL24C-2840000	GL24 C-284	284	980	8,0	440	500	8,5

Dimensions and characteristics not binding. Modifications reserved without prior notice.

Pump Type GLT 10

Single-acting function with built-in single acting spring return cylinder




Cyl. Force / Force on the lever diagram

- 1 - Pumping field lever
- 2 - Filler plug
- 3 - Pressure setting
- 4 - Release field

Materials :
 - Steel pump housing
 - Tube steel cyl.housing

Mounting position: any

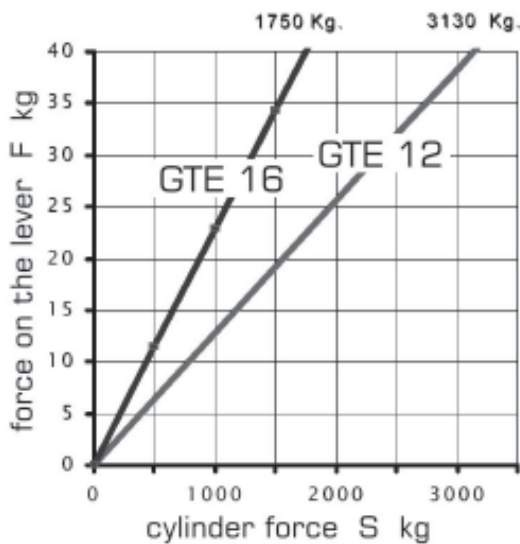
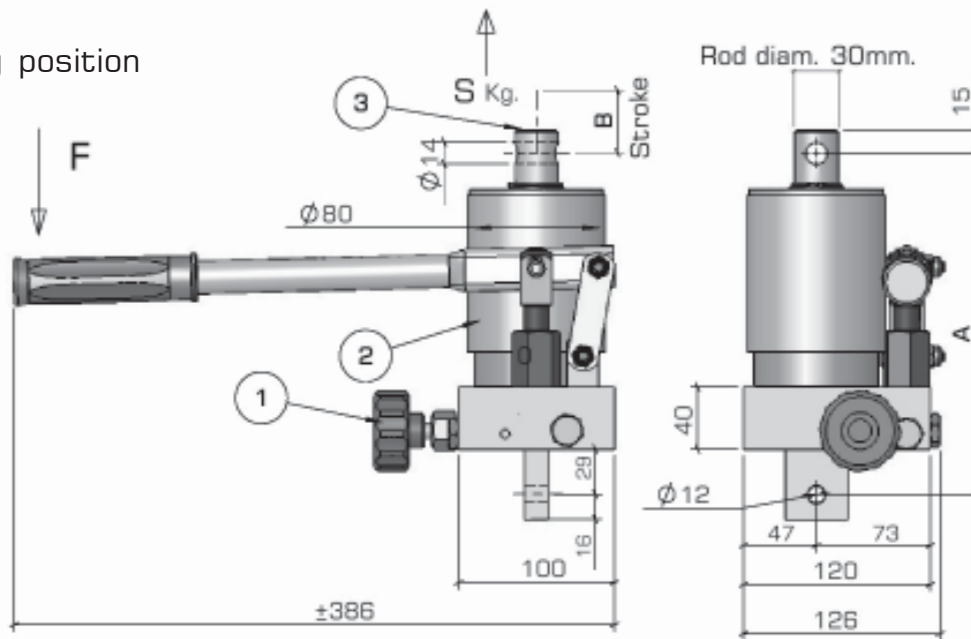
ORDER CODE	TYPE	STROKE mm	CYL. FORCE S kg	ROD STROKE x cycle mm	
PGA00GLT1000000000	GLT 10	60	2000	8,0	

Dimensions and characteristics not binding. Modifications reserved without prior notice.

Pump Type GTE...

Single-acting function with built-in single acting cylinder

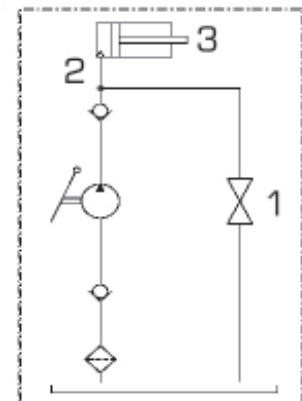
Mounting position



- 1 - Release handknob
- 2 - Cylinder
- 3 - Rod


Materials :

- Steel pump housing
- Tube steel cyl. housing



Cyl. force / Force on the lever diagram

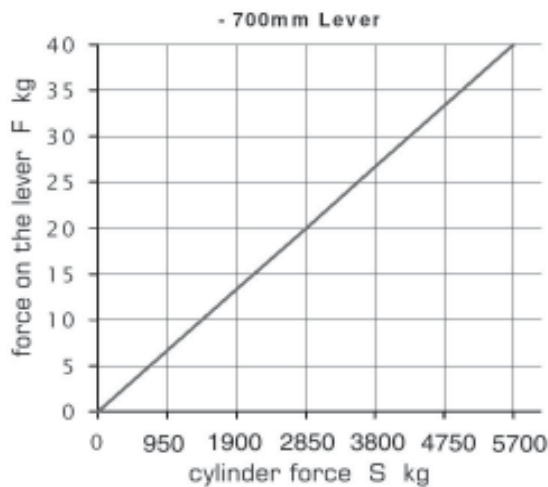
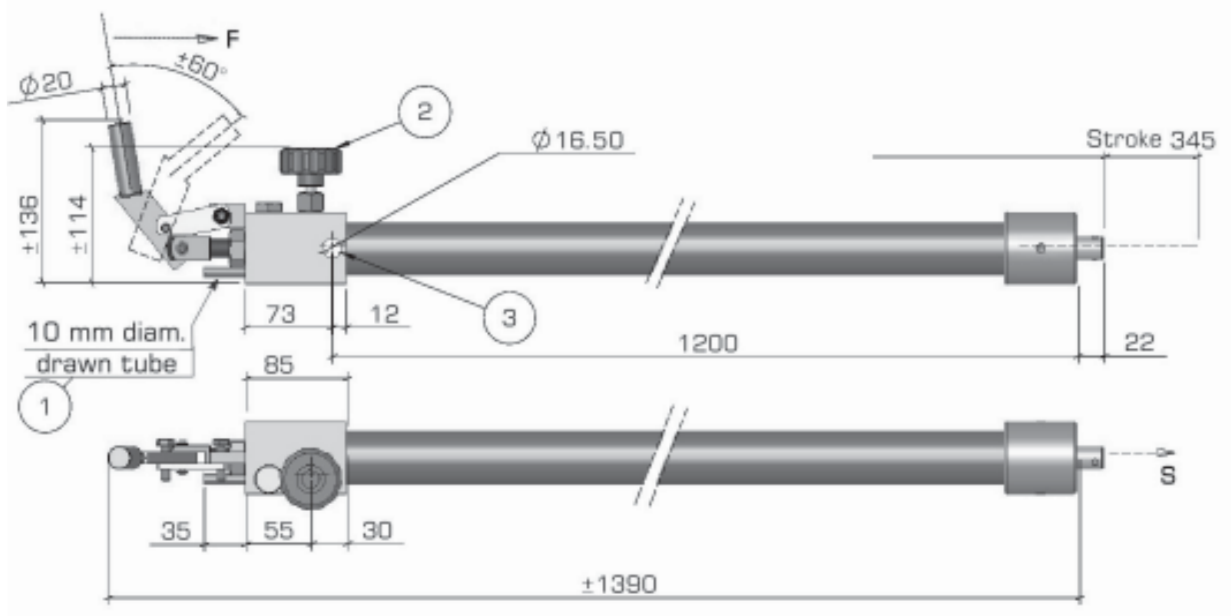
Mounting position: only as dwg
(cyl. rod up)

ORDER CODE	TYPE	STROKE B mm	CYL. FORCE S kg	STROKE x cycle mm	A mm	
PGA00GTE12-1000000	GTE 12 -100	100	3100	5,0	220	9,0
PGA00GTE12-2000000	GTE 12 -200	200	3100	5,0	320	10,0
PGA00GTE16-1000000	GTE 16 -100	100	1700	9,0	220	9,0
PGA00GTE16-2000000	GTE 16 -200	200	1700	9,0	320	10,0

Dimensions and characteristics not binding. Modifications reserved without prior notice.

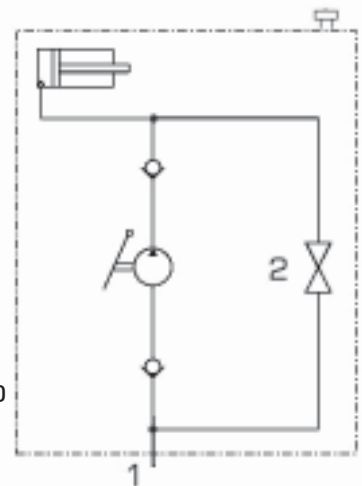
Pump Type GL 177 M

Single-acting function with built-in single-acting cylinder



Cyl. Force / Force on the lever diagram

- 1 - Suction tube
- 2 - Release handknob
- 3 - Mounting hole




Materials :

- Steel pump housing
- Tube steel cyl.housing

Mounting position:

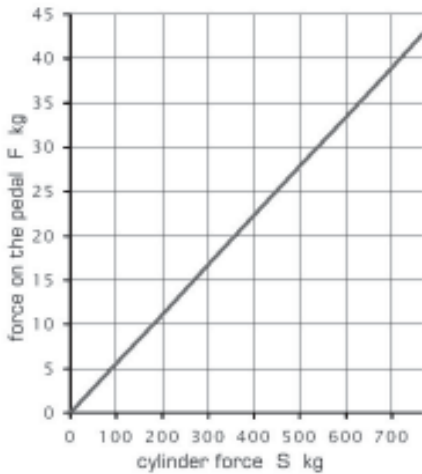
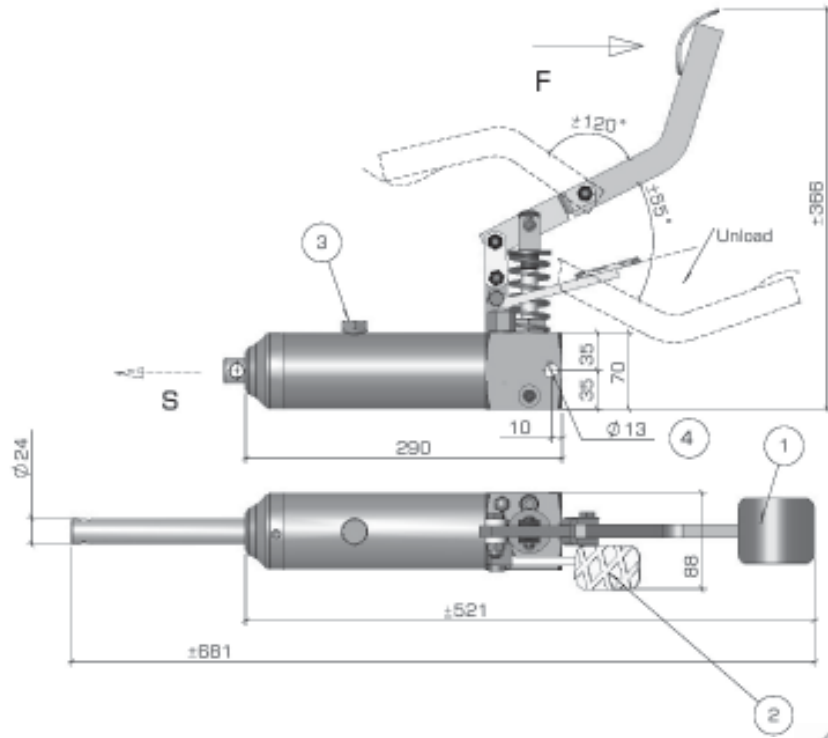
from horizontal to vertical (cyl.rod up)

ORDER CODE	TYPE	STROKE mm	CYL. FORCE S kg	STROKE x cycle mm	
PGA00GL177M0000000	GL 177 M	345	5700	4,0	12,0

Dimensions and characteristics not binding. Modifications reserved without prior notice.

Pump Type GL 224

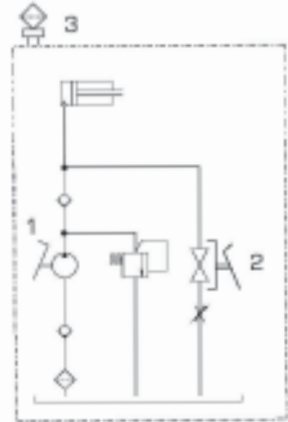
Single-acting foot-pedal function with built-in single-acting cylinder



- 1 - Pumping foot pedal
- 2 - Release foot pedal
- 3 - Filler plug
- 4 - Fixing hole


Materials :

- Steel pump housing
- Tube steel cyl.housing



Cyl. Force / Force on the pedal diagram

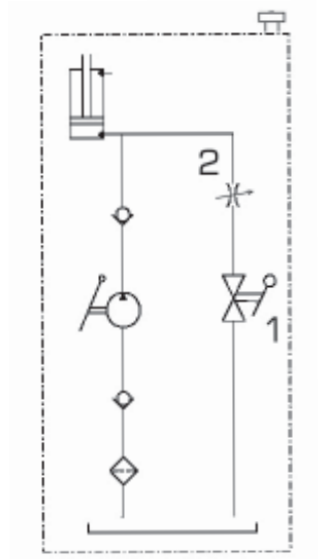
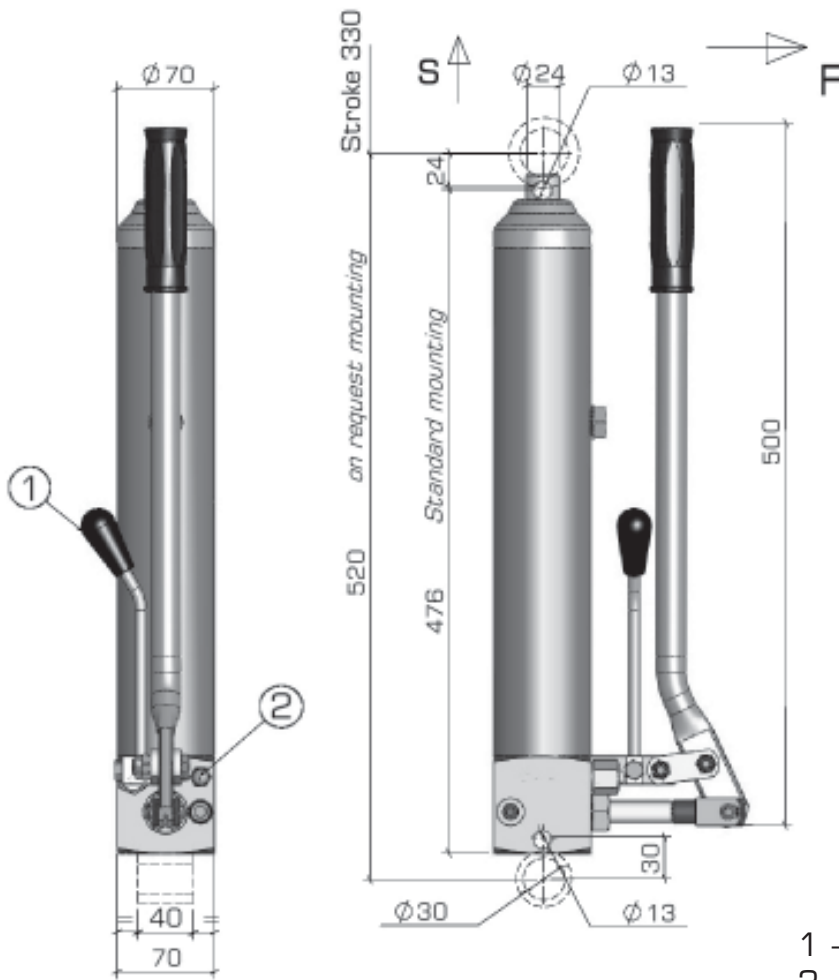
Mounting position:
from horizontal to vertical (cyl.rod up)

ORDER CODE	TYPE	STROKE mm	CYL. FORCE S kg	STROKE x cycle mm	
PGA00GL24400000000	GL 224	150	700	6,5	8,0

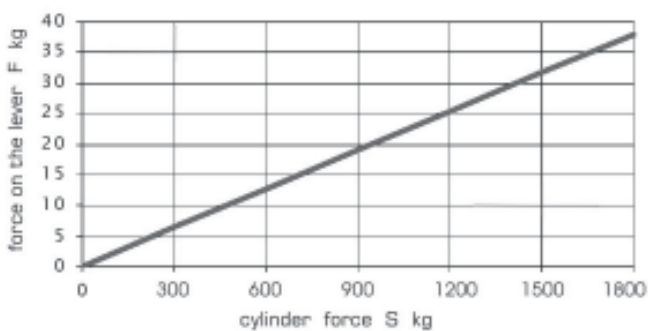
Dimensions and characteristics not binding. Modifications reserved without prior notice.

Pump Type GL 229

Single-acting function with built-in single-acting cylinder




- 1 - Release lever
- 2 - Release throttle setting



- Materials :
- Steel pump housing
 - Tube steel cyl.housing

Mounting position: only as dwg
(cyl.rod up)

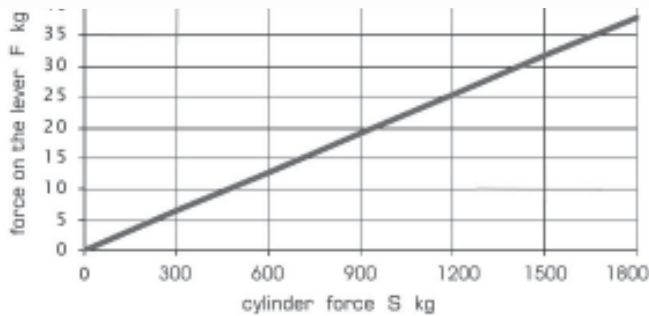
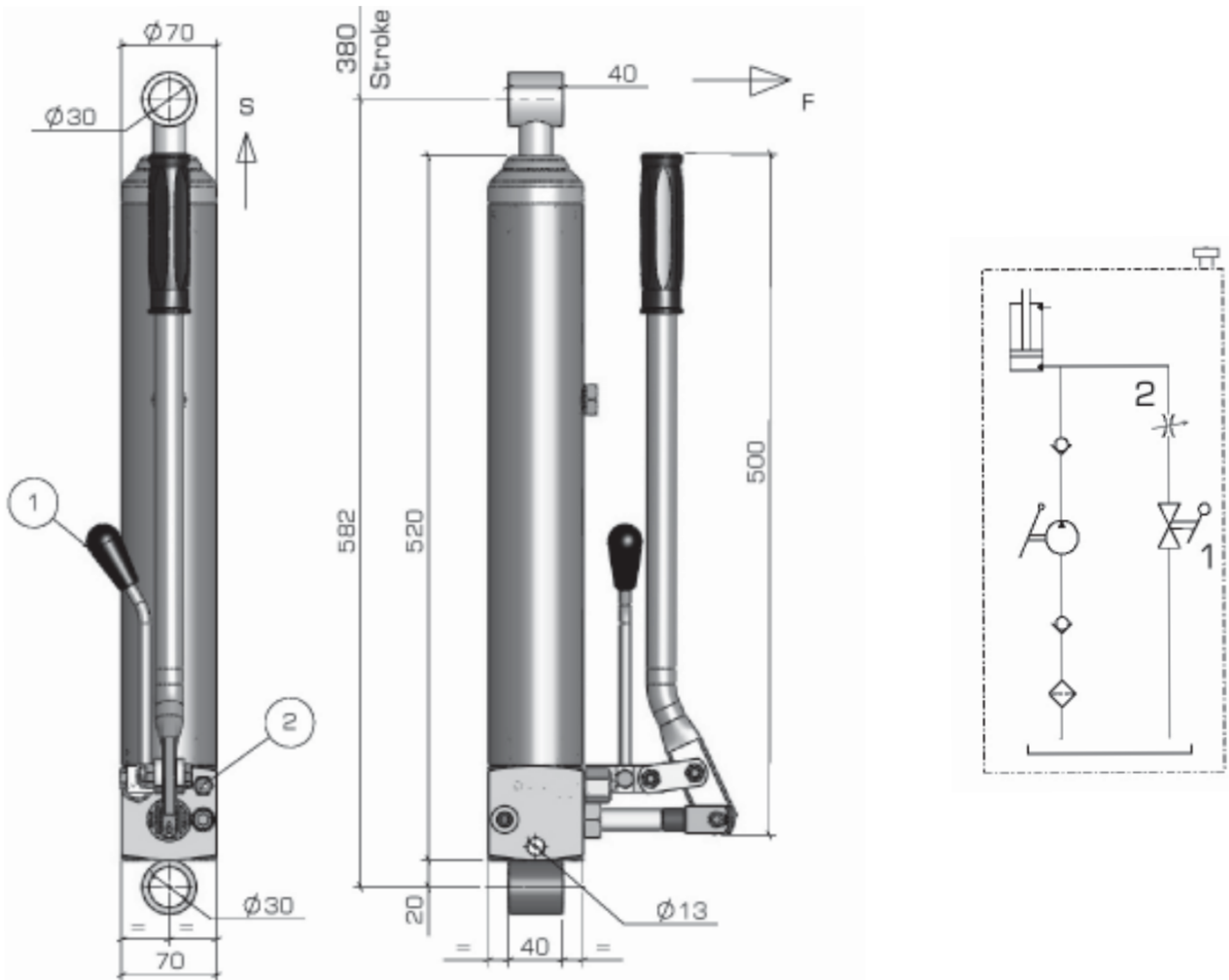
Cyl.Force / Force on the lever diagram

ORDER CODE	TYPE	STROKE mm	CYL. FORCE S kg	STROKE x cycle mm	
PGA00GL22900000000	GL 229	330	1800	8,0	10,0

Dimensions and characteristics not binding. Modifications reserved without prior notice.

Pump Type GL 229-380

Single-acting function
with built-in single-acting cylinder




- 1 - Release lever
- 2 - Release throttle setting

- Materials :
- Steel pump housing
 - Tube steel cyl. housing

Cyl. Force / Force on the lever diagram

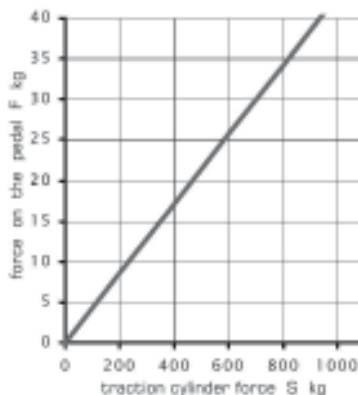
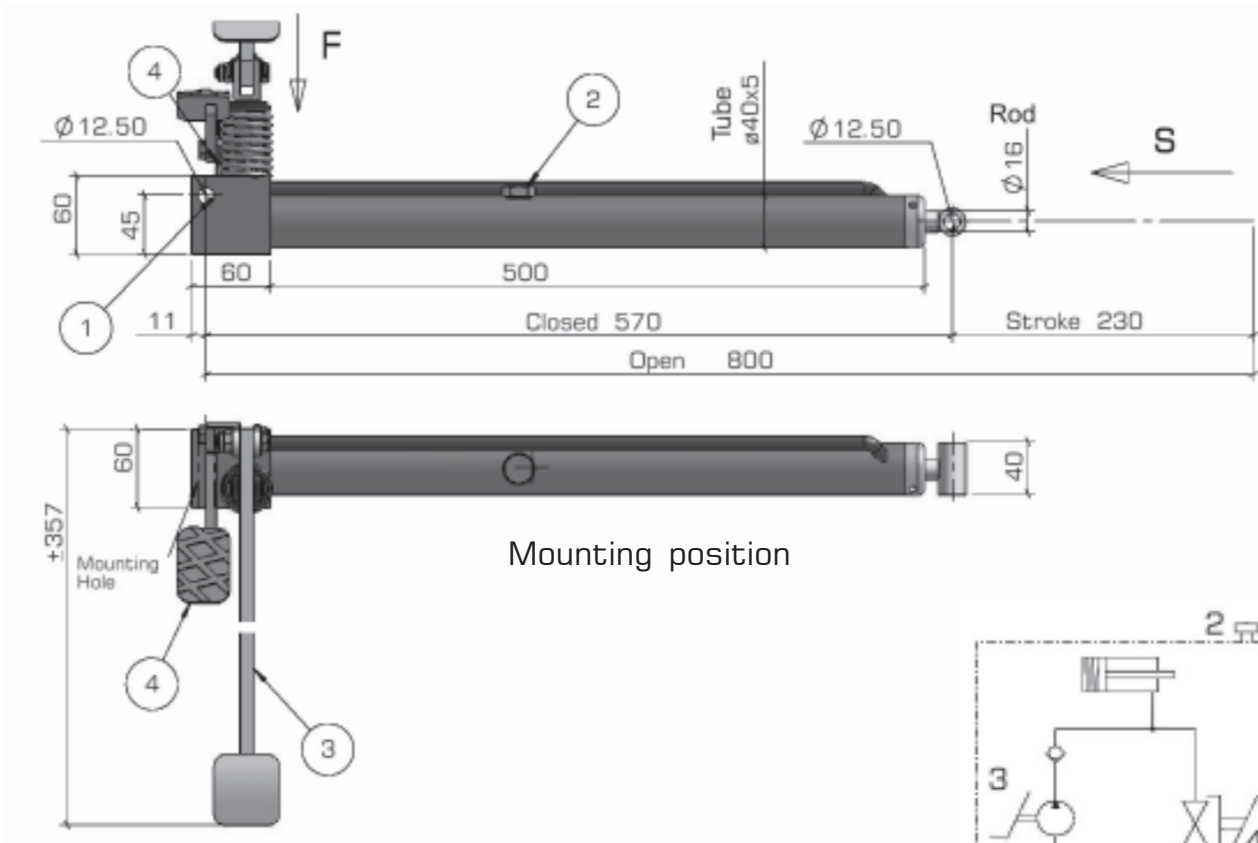
Mounting position: only as dwg
(cyl. rod up)

ORDER CODE	TYPE	STROKE mm	CYL. FORCE S kg	STROKE x cycle mm	
PGA00GL229-3800000	GL 229-380	380	1800	8,0	10,0

Dimensions and characteristics not binding. Modifications reserved without prior notice.

Pump Type GL 239

Foot pedal Single-acting function
with built-in traction single-acting cylinder

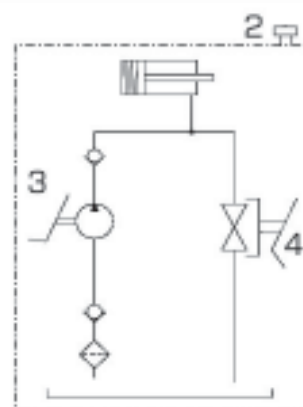



- 1 - Mounting hole
- 2 - Filler plug
- 3 - Pumping foot-pedal
- 4 - Release foot-pedal

Materials :
- Steel pump housing
- Tube steel cyl.housing

Mounting position: only as dwg
(cyl.rod horizontal)

Cyl. Force / Force on the pedal diagram



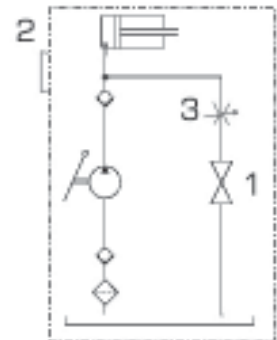
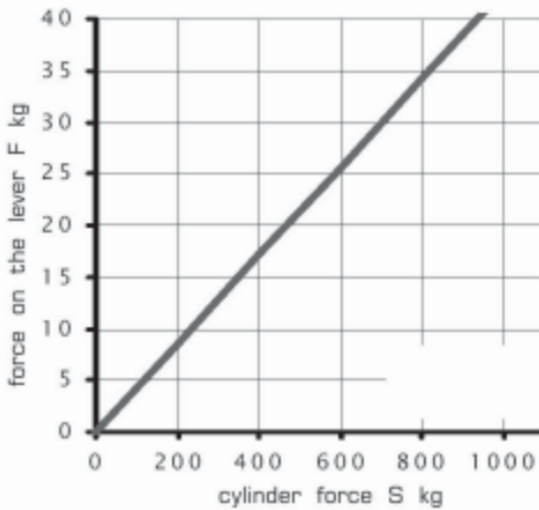
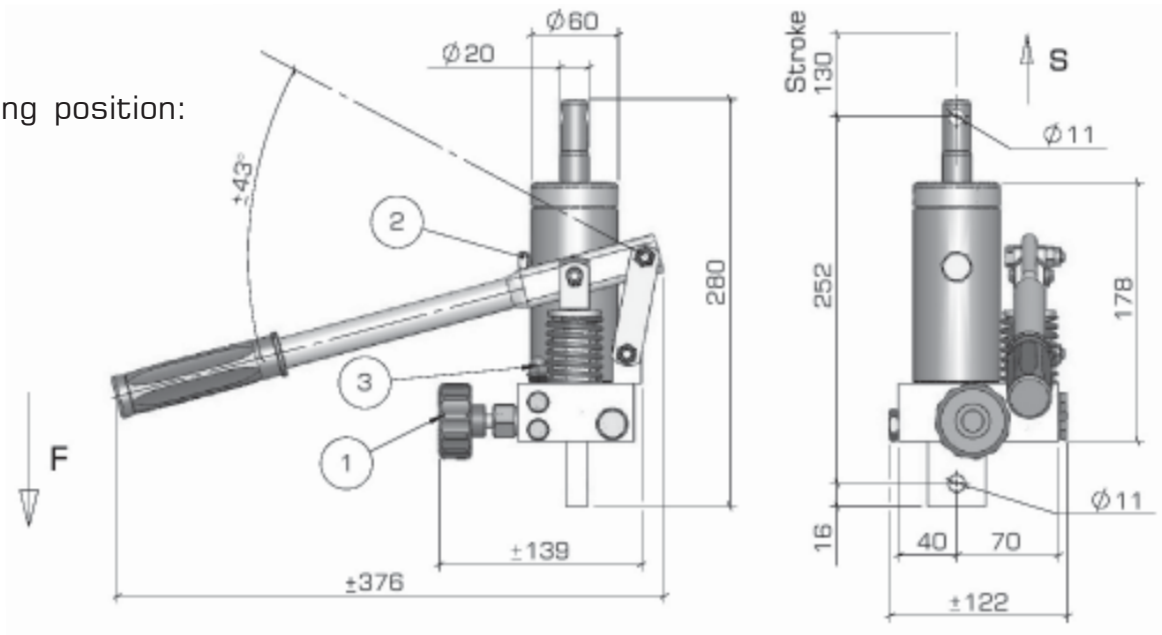
ORDER CODE	TYPE	STROKE mm	CYL. FORCE S kg (pull)	STROKE x cycle mm	
PGA00GL23900000000	GL 239	230	900	10,0	6,0

Dimensions and characteristics not binding. Modifications reserved without prior notice.

Pump Type GL 243

Single-acting function with built-in single-acting cylinder

Mounting position:




- 1 - Release handknob
- 2 - Filler plug
- 3 - Release throttle valve

Materials :

- Steel pump housing
- Tube steel cyl.housing

Cyl. Force / Force on the lever diagram

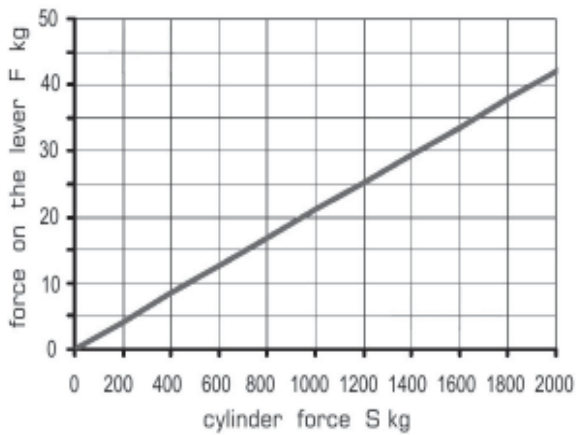
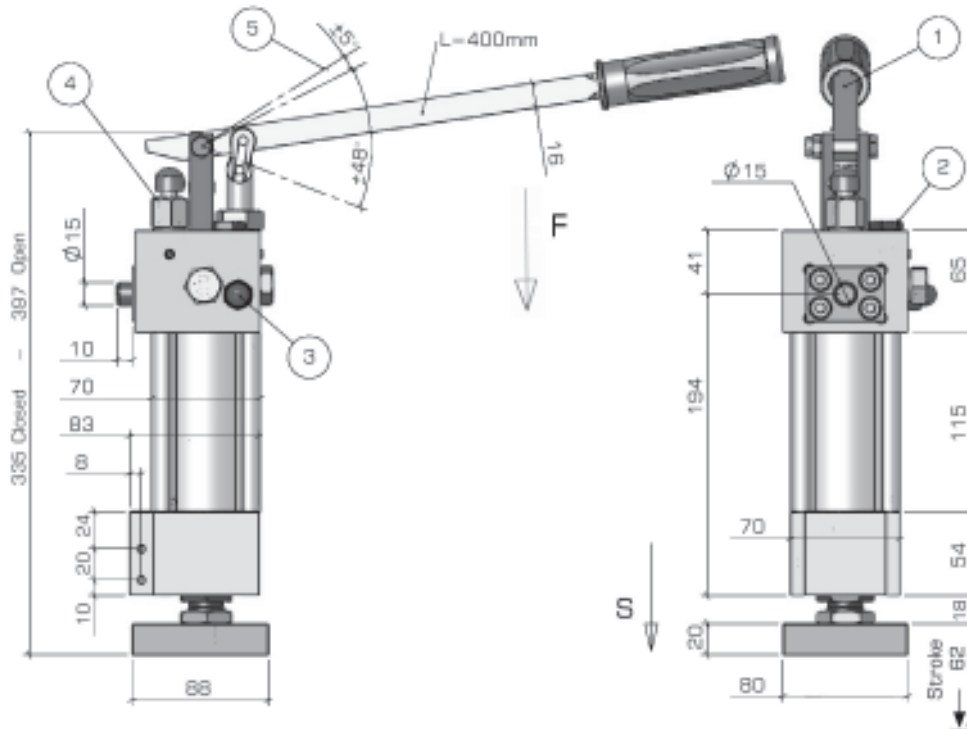
Mounting position: only as dwg
(vert. cyl. rod up)

ORDER CODE	TYPE	STROKE mm	CYL. FORCE S kg	STROKE x cycle mm	
PGA00GL24300000000	GL 243	130	900	12,0	6,0

Dimensions and characteristics not binding. Modifications reserved without prior notice.

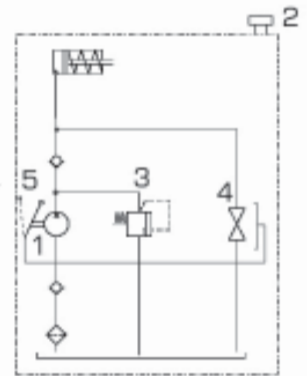
Pump Type GL 247

Single-acting function
with built-in
single-acting spring return cylinder



Cyl. Force / Force on the lever diagram


- 1 - Pumping lever
- 2 - Filler plug
- 3 - Pressure setting
- 4 - Release valve
- 5 - Release field



Materials :

- Aluminium pump and cylinder housing

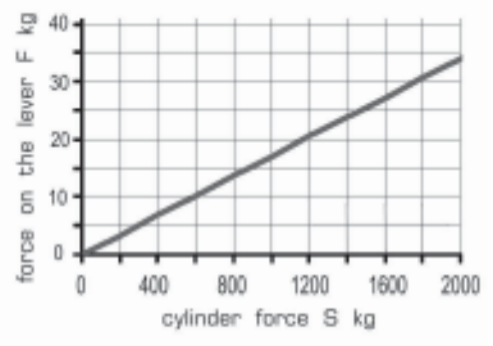
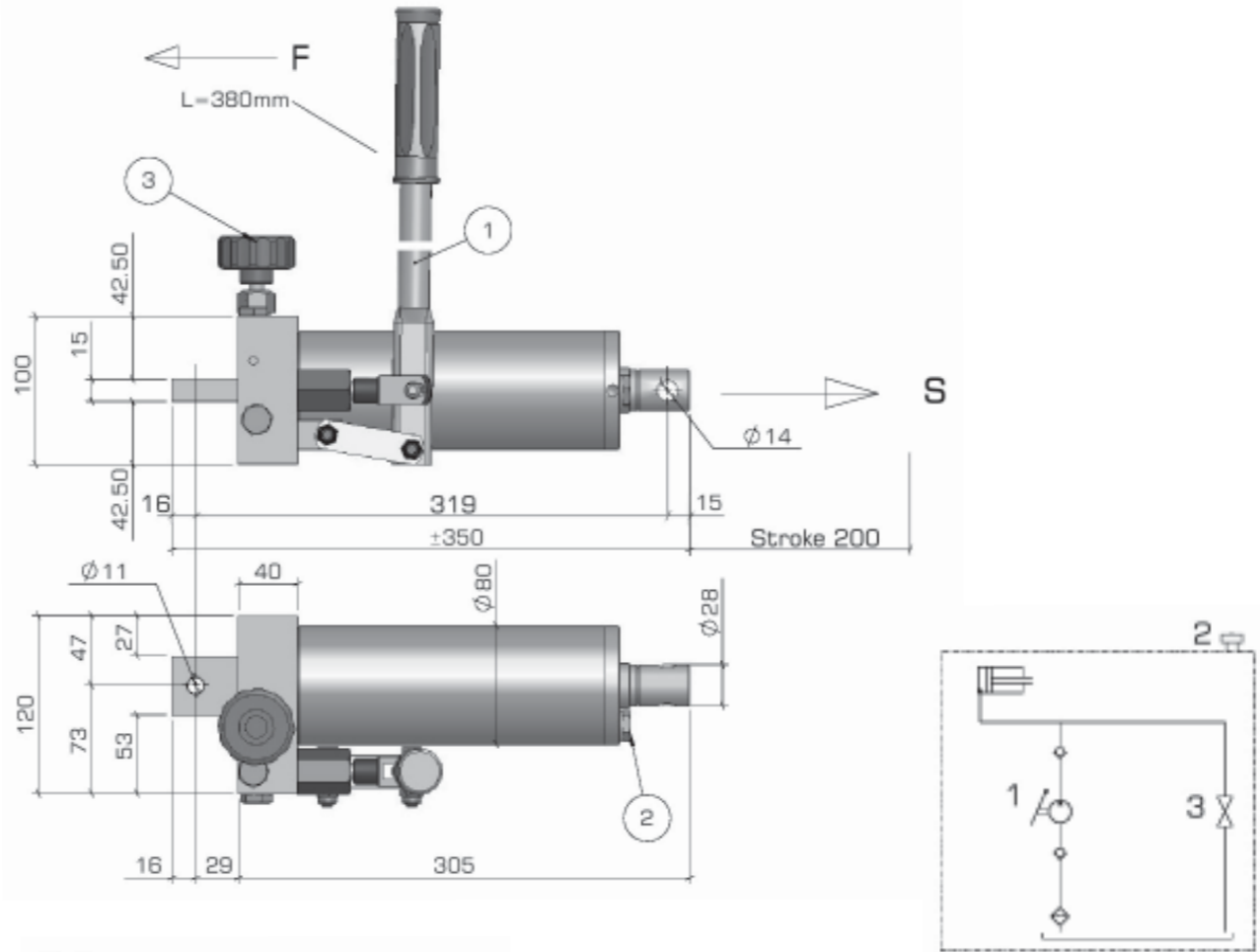
Mounting position : any

ORDER CODE	TYPE	STROKE mm	CYL. FORCE S kg	STROKE x cycle mm	
PGA00GL24700000000	GL 247	62	2000	5,5	8,0

Dimensions and characteristics not binding. Modifications reserved without prior notice.

Pump Type GL 249

Single-acting function
with built-in single-acting cylinder




- 1 - Pumping lever
- 2 - Filler plug
- 3 - Release handknob

Materials :
- Steel pump housing
- Tube steel cyl.housing

Cyl.Force / Force on the lever diagram

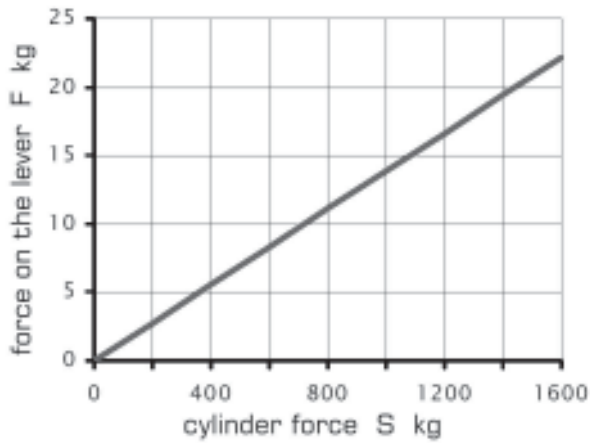
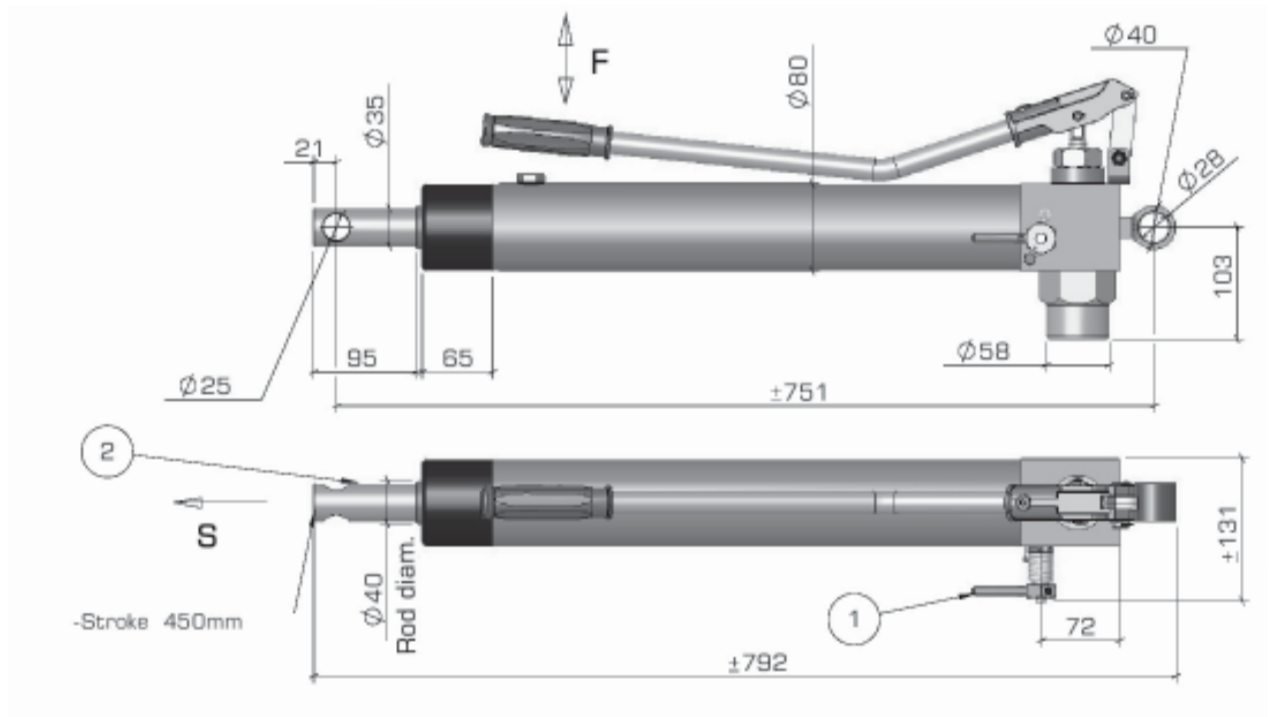
Mounting position:
from horizontal to vertical (cyl.rod up)

ORDER CODE	TYPE	STROKE mm	CYL. FORCE S kg	STROKE x cycle mm	
PGA00GL24900000000	GL 249	200	2000	12	10,5

Dimensions and characteristics not binding. Modifications reserved without prior notice.

Pump Type GL 254

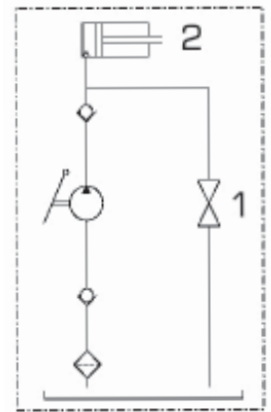
Double-stroke function with built-in single acting cylinder




Cylinder force / Force on the lever diagram

- 1 - Release lever
- 2 - Cylinder rod

- Materials :
- Steel pump housing
 - Tube steel cyl.housing



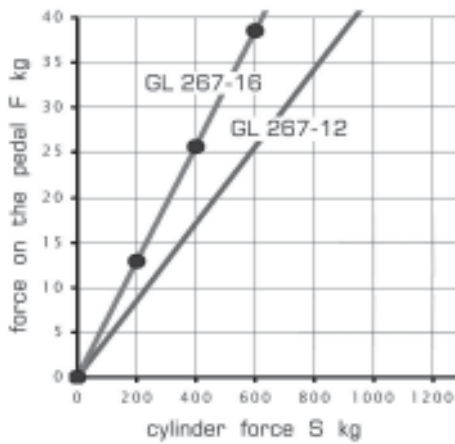
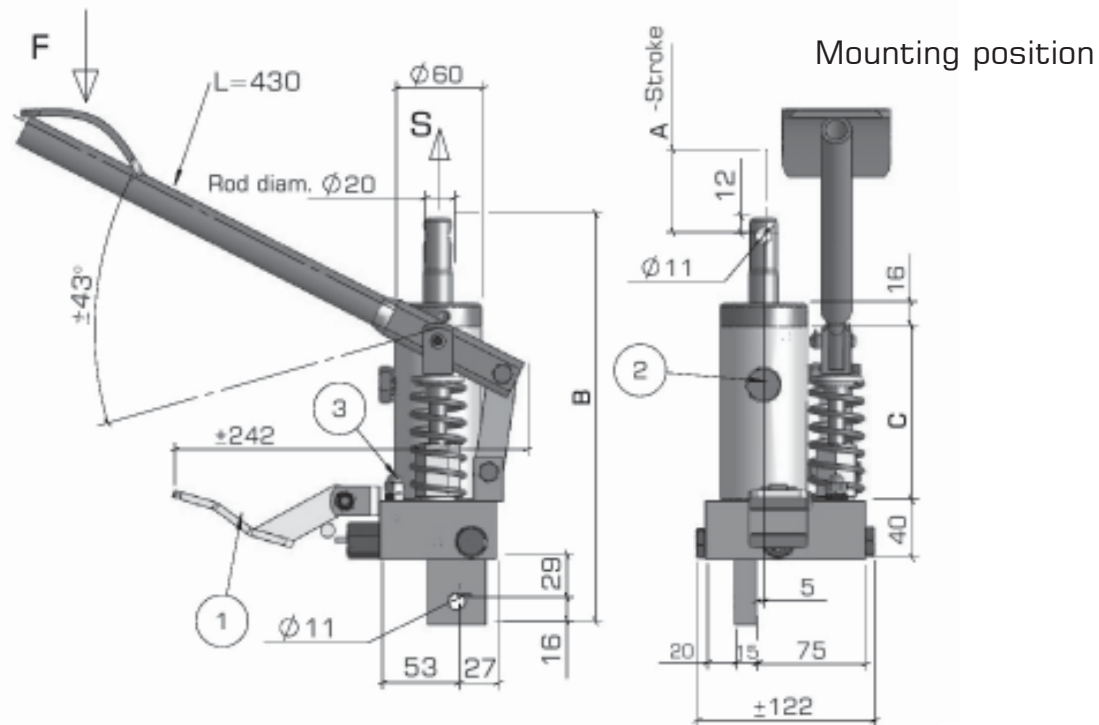
Mounting position:
from horizontal to vertical (cyl.rod up)

ORDER CODE	TYPE	STROKE mm	CYL. FORCE S kg	STROKE x cycle mm	
PGA00GL25400000000	GL 254	450	1300	12	22,0

Dimensions and characteristics not binding. Modifications reserved without prior notice.

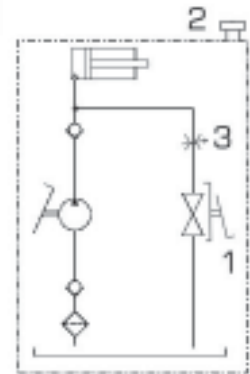
Pump Type GL 267

Single-acting pedal function with built-in single-acting cylinder




- 1 - Release pedal
- 2 - Filler plug
- 3 - Release throttle setting

Materials :
 - Steel Pump housing
 - Tube steel cyl. housing



Cyl. force / Force on the lever diagram

Mounting position: as dwg (cyl.rod up)

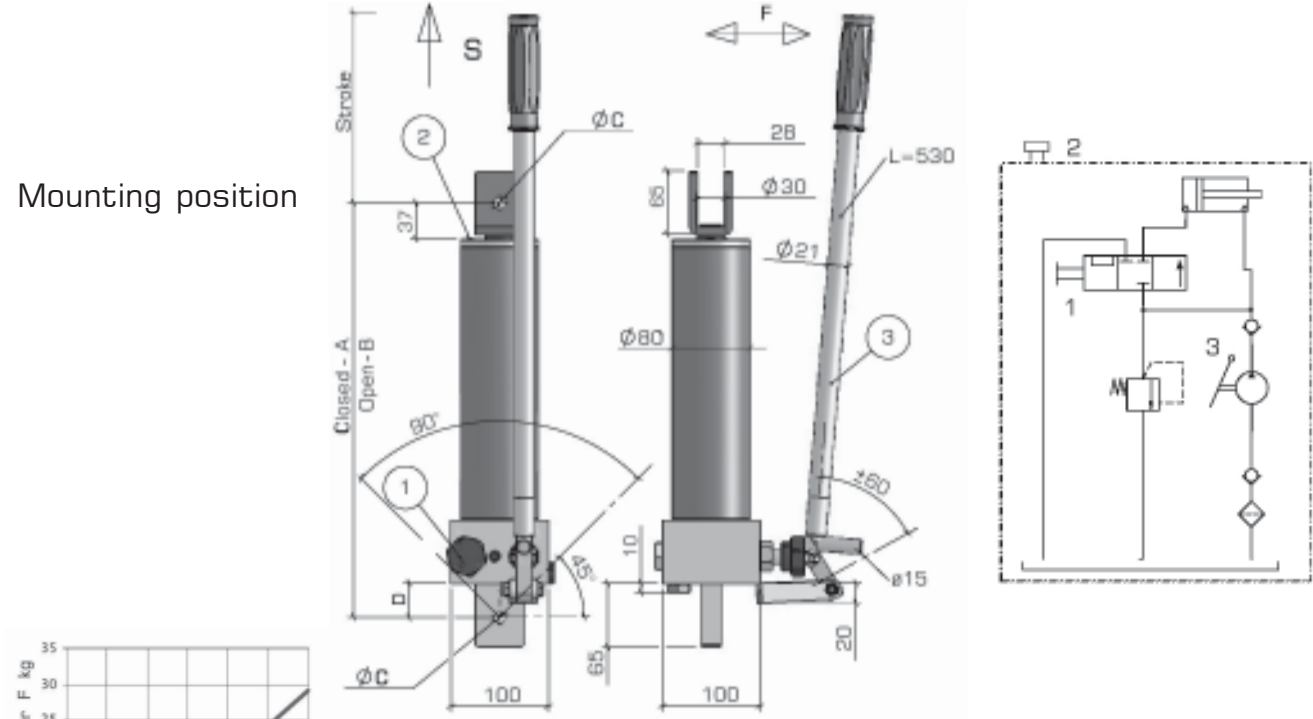
ORDER CODE	TYPE	STROKE A mm	CYL. FORCE S kg	ROD STROKE x cycle mm	
PGA00GL267-12-1300	GL267-12-130	130	900	12,0	6,0
PGA00GL267-16-1300	GL267-16-130	130	600	22,0	6,0

Dimensions and characteristics not binding. Modifications reserved without prior notice.

Pump Type GL 299

Double-acting function with built-in oil flow diverter and double-acting cylinder

Mounting position




- 1 - Oil flow diverter handknob
- 2 - Filler plug
- 3 - Pumping lever

Materials :

- Steel pump housing
- Tube steel cyl. housing

Cyl. Force / Force on the lever diagram

Mounting position: as dwg (cyl.rod up)

TYPE	A mm	B mm	C diam. mm	D mm	
GL 299-535	745	1280	26	40	20,0
GL 299-220	425	645	12	35	15,0

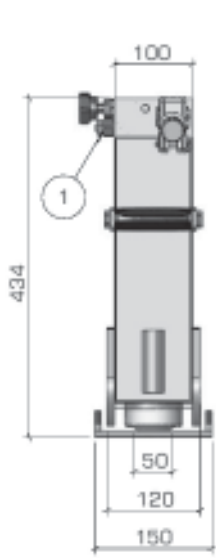
ORDER CODE	TYPE	STROKE mm	CYL. FORCE S kg	* STROKE x cycle mm
PGA00GL299-5350000	GL 299-535	535	1500	17,0 / 23,0
PGA00GL299-2200000	GL 299-220	220	1500	17,0 / 23,0

* Outgoing / Return stroke x cycle

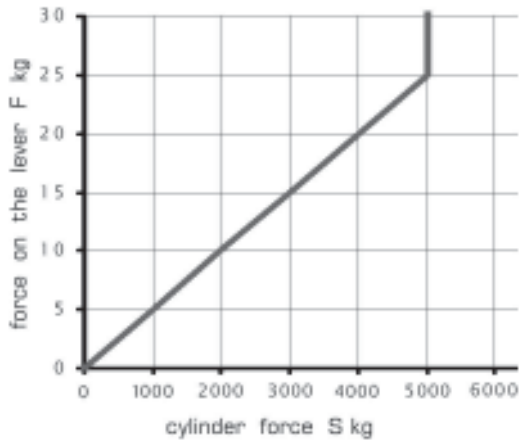
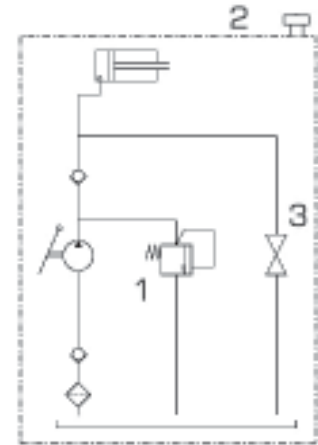
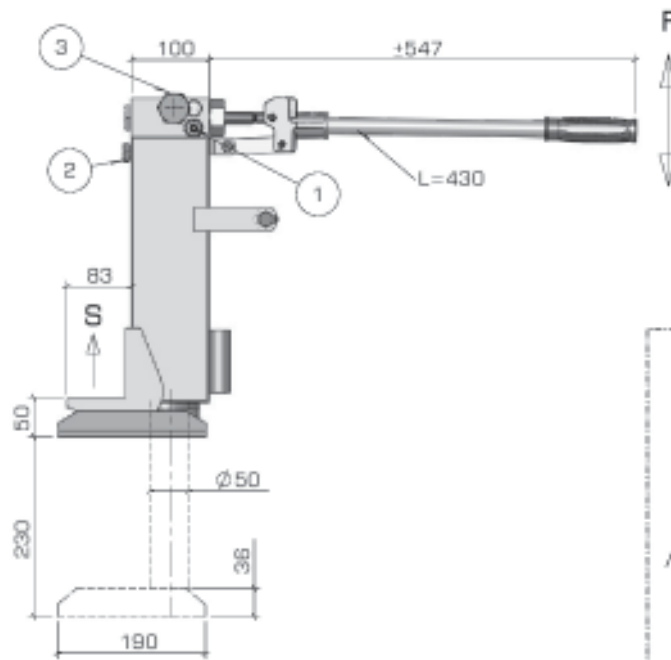
Dimensions and characteristics not binding. Modifications reserved without prior notice.

Jack Type GLSE 20-ICN

Double-stroke function with built-in single-acting cylinder



Mounting position




Cyl. force / Force on the lever diagram

- 1 - Pressure setting
- 2 - Filler plug
- 3 - Release handknob

Materials :

- Steel pump housing
- Tube steel cyl.housing

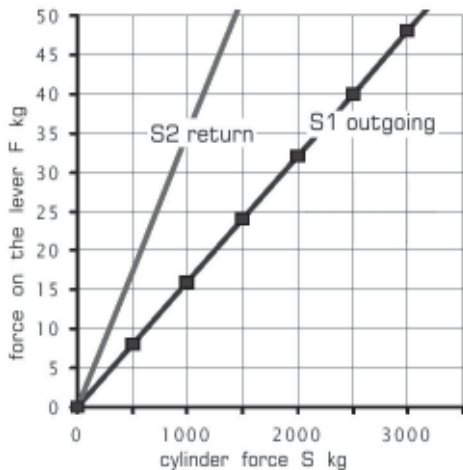
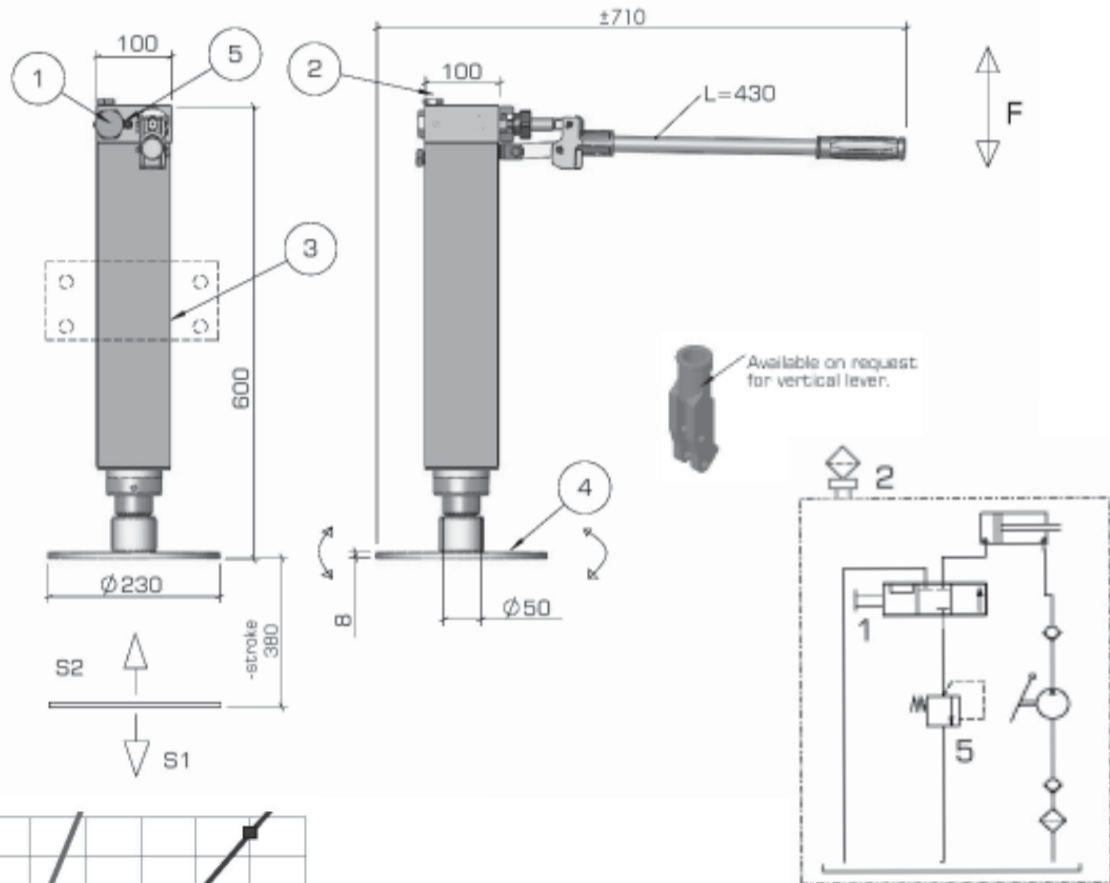
Mounting position: as dwg (cyl.rod down)

ORDER CODE	TYPE	STROKE mm	CYL. FORCE S kg	ROD STROKE x cycle mm	
PGA00GLSE20-ICN000	GLSE 20-ICN	230	5000	3,5	25,0

Dimensions and characteristics not binding. Modifications reserved without prior notice.

Jack Type GLDE 25-ICN

with diverter valve and double-acting cylinder




Cyl. force / Force on the lever diagram

- 1 - Flow diverter handknob
- 2 - Filler plug
- 3 - Flange for support (to be provided by the customer)
- 4 - Adjustable flange for support
- 5 - Pressure setting

Materials :

- Steel pump housing
- Tube steel cyl.housing

Mounting position: any

ORDER CODE	TYPE	STROKE mm	CYL. FORCE S1 kg (outgoing)	CYL. FORCE S2 kg (return)	ROD STROKE x cycle mm	
PGA00GLDE25-ICN000	GLDE 25-ICN	380	3000	1500	7,8	28,5

Dimensions and characteristics not binding. Modifications reserved without prior notice.