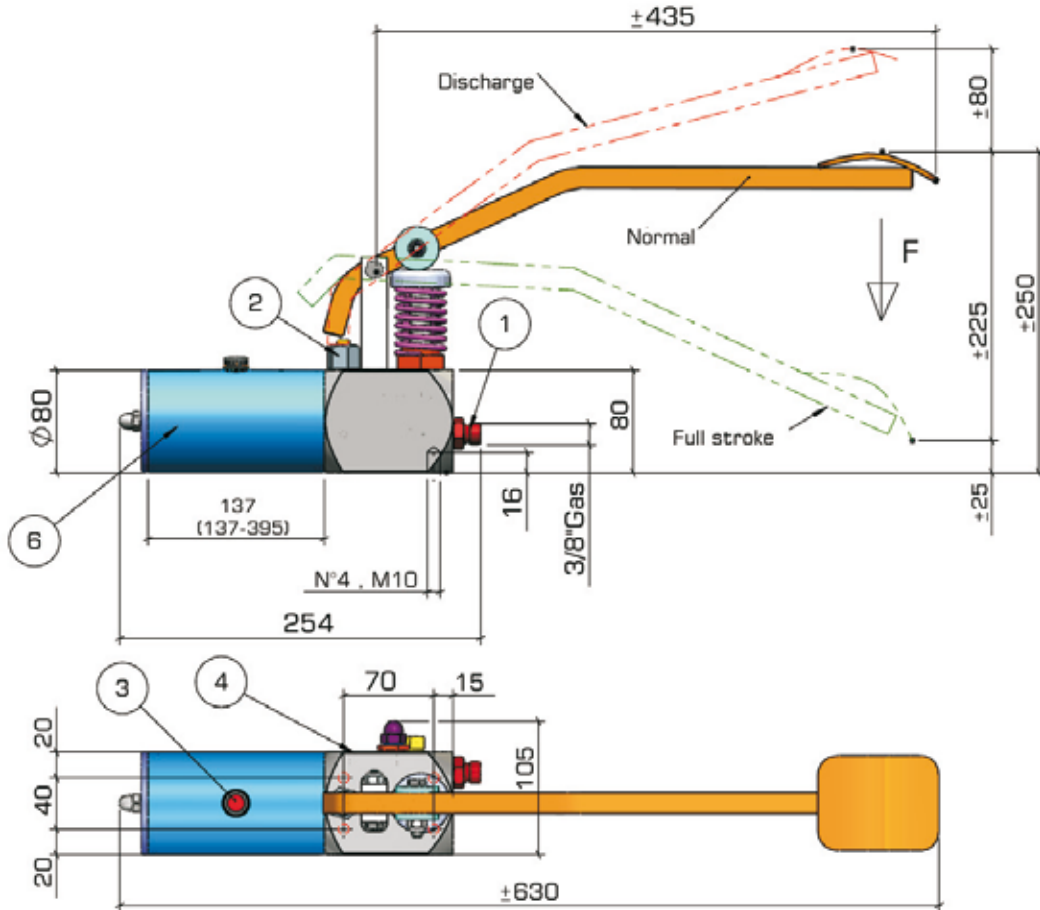


## Hydraulic Pedal Pump type GLAPN (16-25)

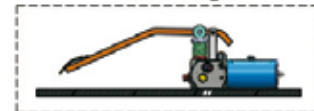
Single acting function pedal pump with relief valve and release function for single acting cylinder



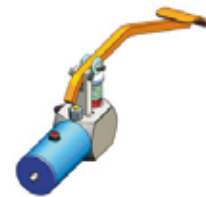
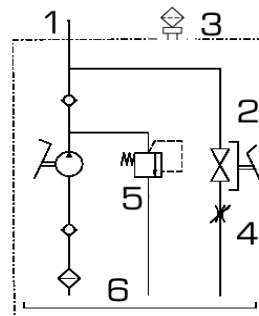
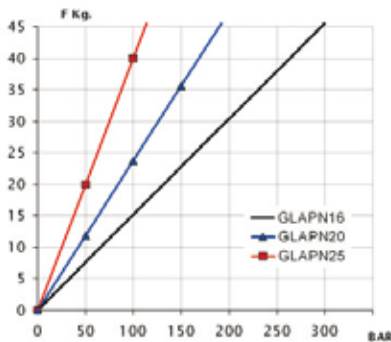
Weight (without oil) ~5 Kg

- 1 Pressure Port
- 2 Release Valve
- 3 Filler Plug
- 4 Oil Flow Return Setting
- 5 Relief valve Setting
- 6 Tank L 0.5; 1.0; 1.8

Mounting:



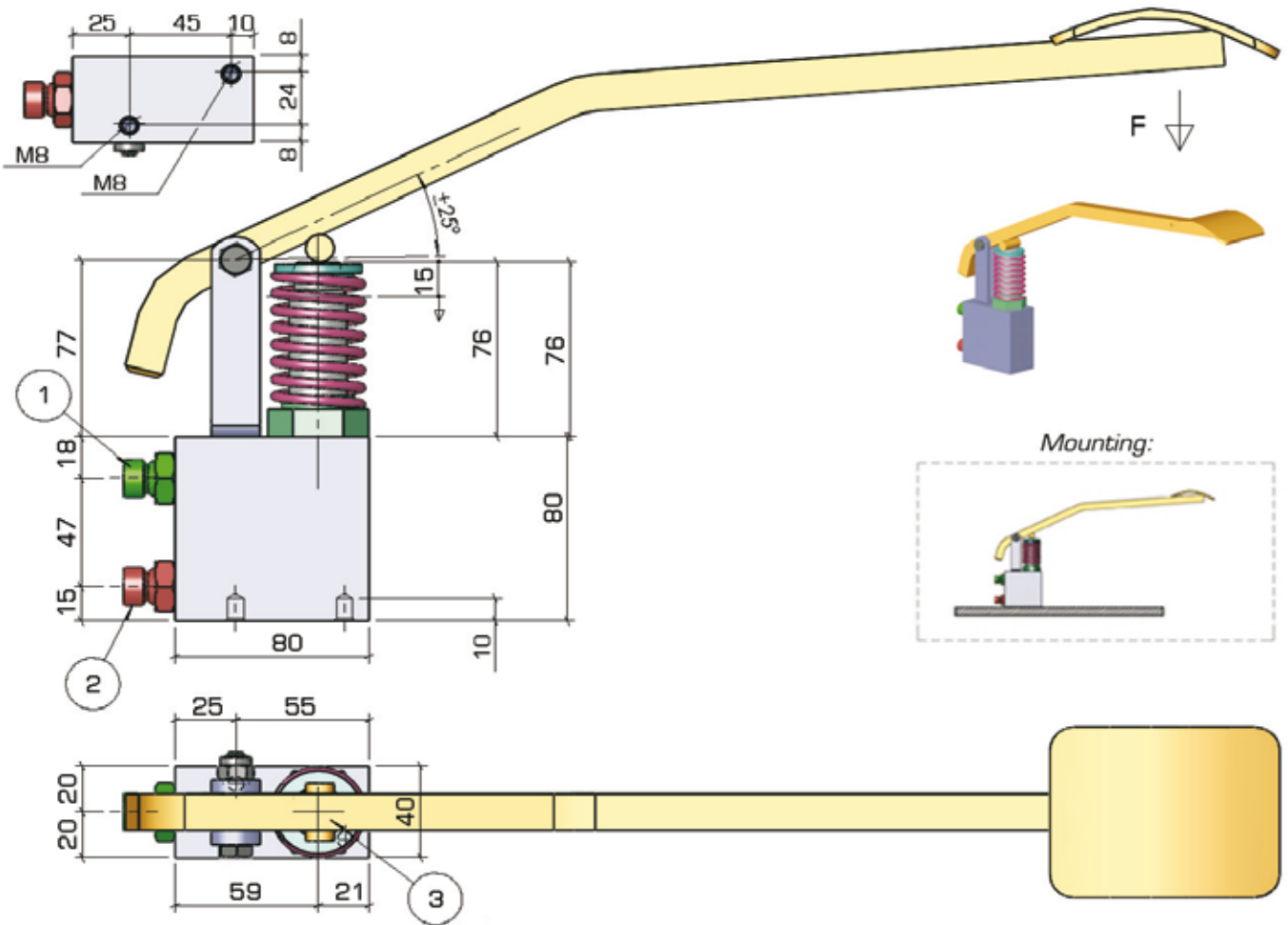
TYPE	DELIVERY cc	PRESSURE Bar
GLAPN16	3,2	250
GLAPN20	5	160
GLAPN25	7,5	100



Dimensions and characteristics not binding. Modifications reserved without prior notice.

## Hydraulic Pedal Pump type GL 100 P

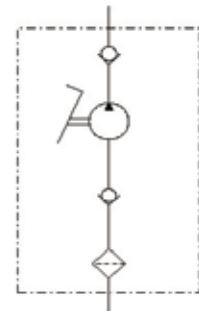
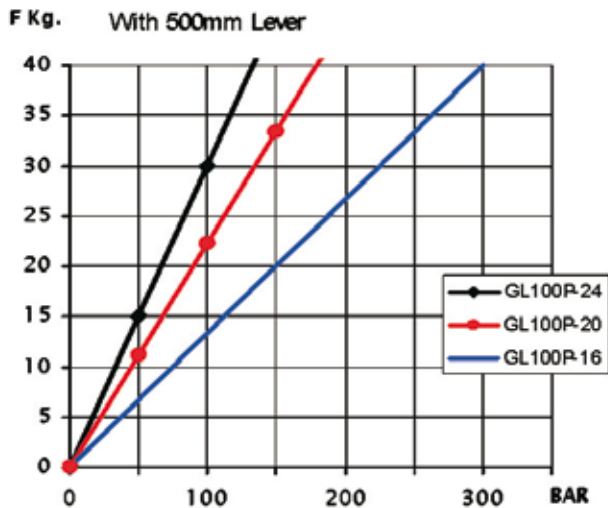
Single acting function pedal pump for single acting cylinder



Weight kg. 2,5

1 Pressure Port 3/8"G  
2 Suction 3/8"G

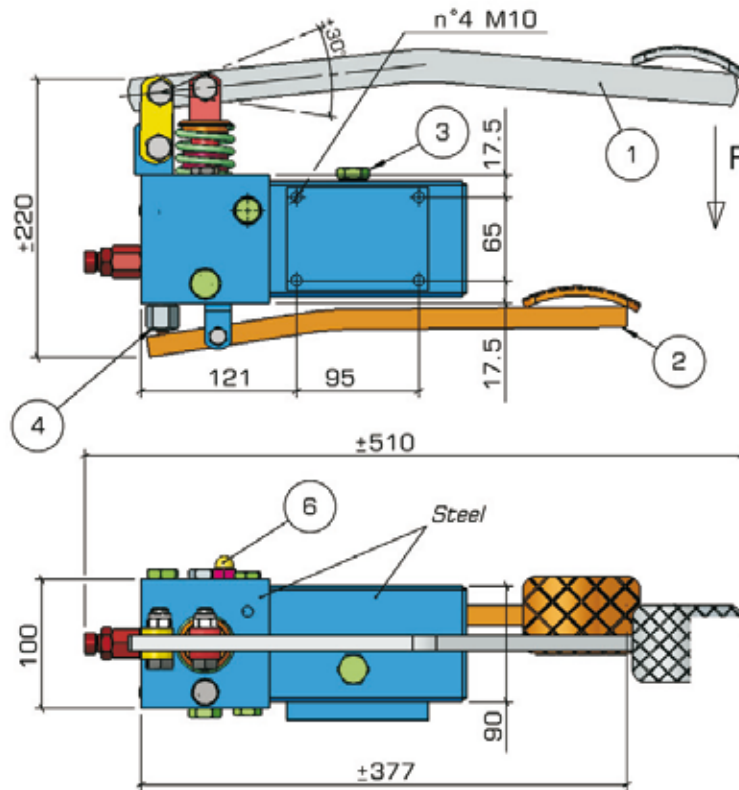
TYPE	DELIVERY cc
GL 100 P/16	3,2
GL 100 P/20	5
GL 100 P/24	7,5



Dimensions and characteristics not binding. Modifications reserved without prior notice.

## Hydraulic Pedal Pump type GL 115 MP-P

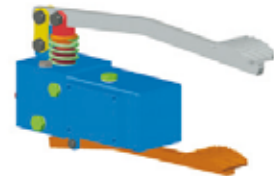
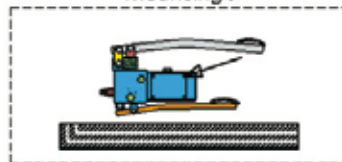
Two speed Single acting function pedal pump for single acting cylinder



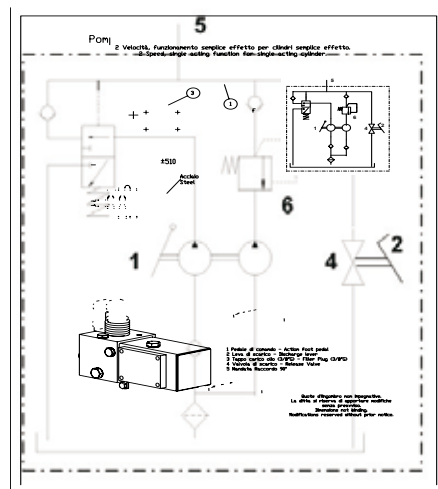
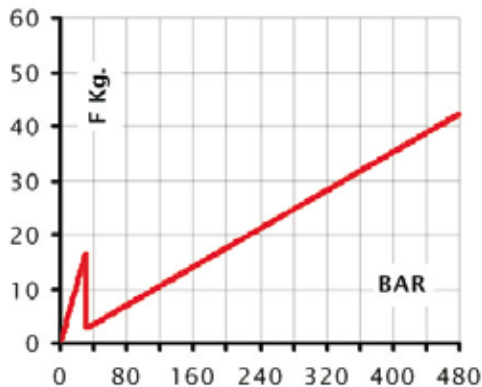
Weight Kg. ~13  
Pressure Bar 420  
Oil Tank ~1L

- 1 Action foot pedal
- 2 Discharge lever
- 3 Filler Plug (3/8" G)
- 4 Release Valve
- 5 Pressure port 90° connection
- 6 Max. Pressure Valve

Mounting:



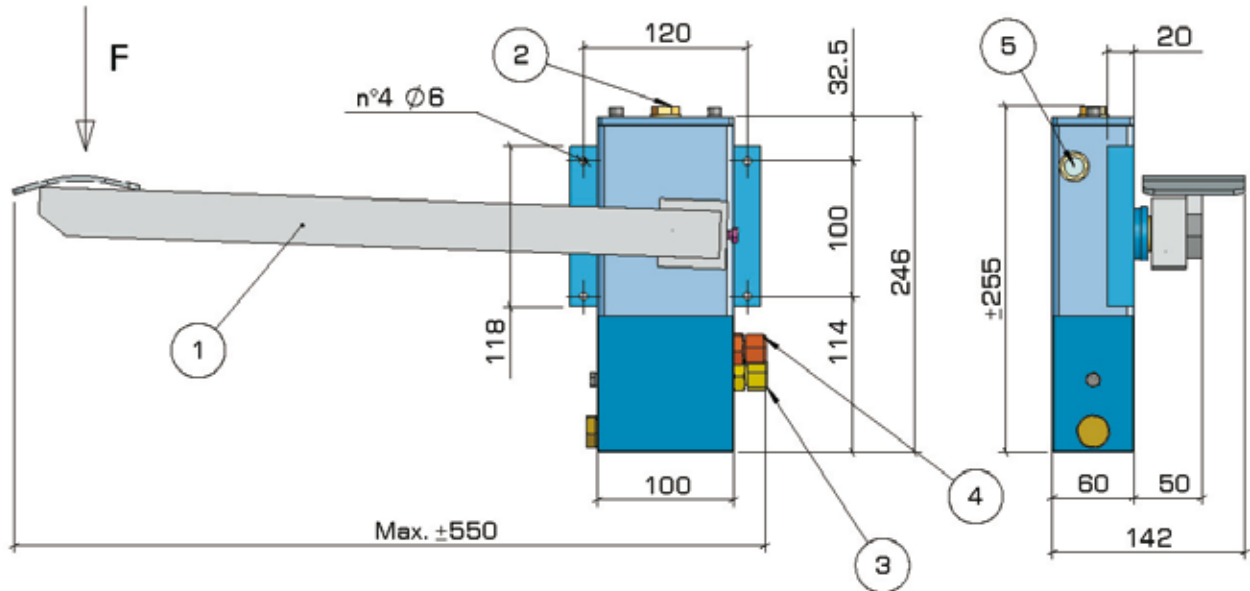
Function	DELIVERY cc	PRESSURE Bar
1° Speed	18.2	30
2° Speed	2.9	420



Dimensions and characteristics not binding. Modifications reserved without prior notice.

## Hydraulic Pedal Pump type GL 138 P

Single acting function pedal pump for single acting cylinder

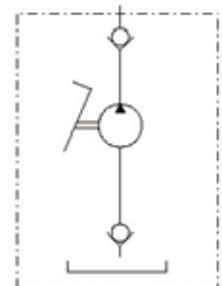
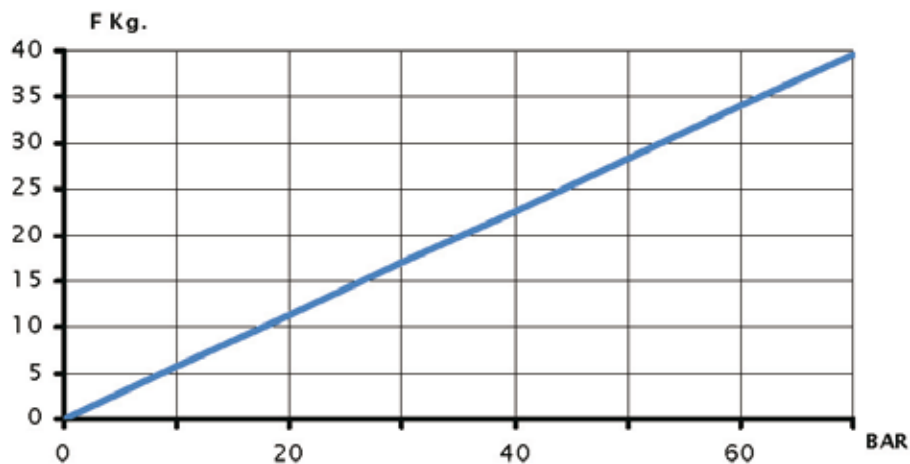


Pressure 60 bar  
Delivery 17cc.  
Tank 0,5 lt.

- 1 Foot Pedal
- 2 Filler Plug
- 3 Pressure port
- 4 Suction
- 5 Oil Level

Mounting:

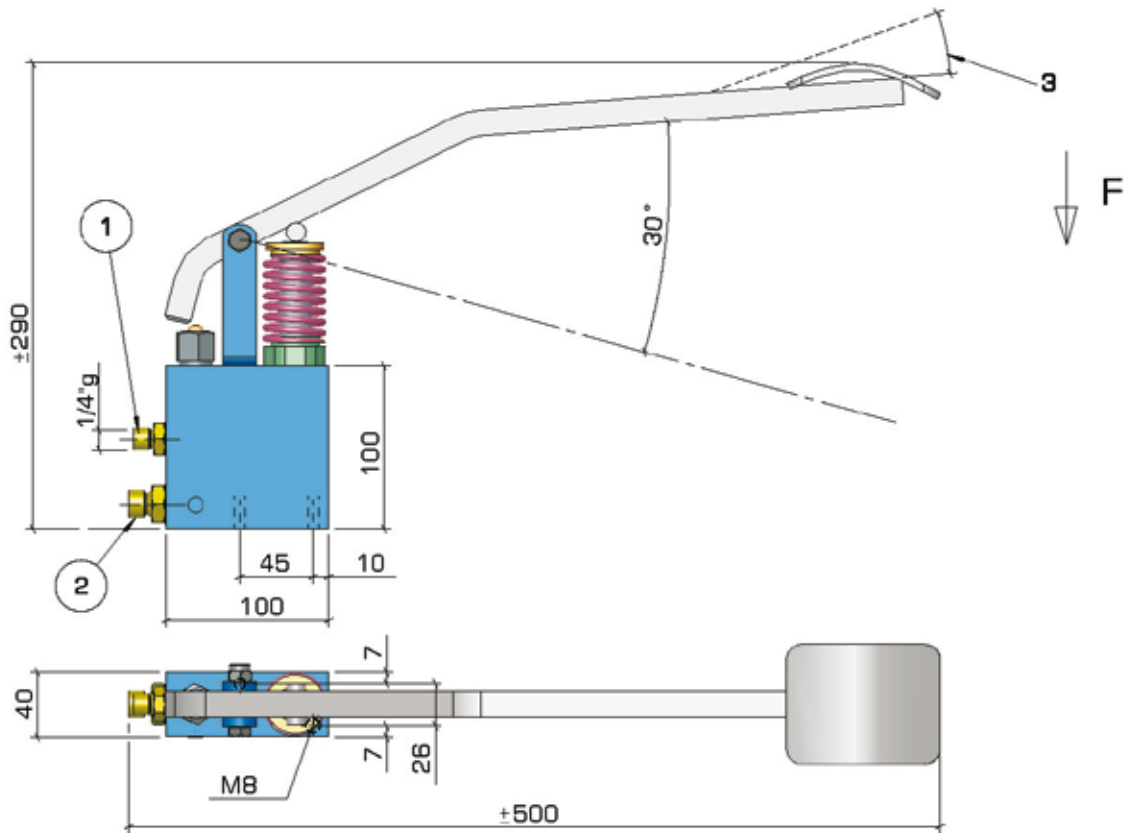
Only as dwg



Dimensions and characteristics not binding. Modifications reserved without prior notice.

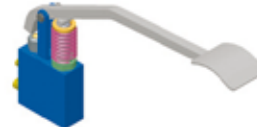
## Hydraulic Pedal Pump type GL 144 P

Single acting function pedal pump with release function for single acting cylinder



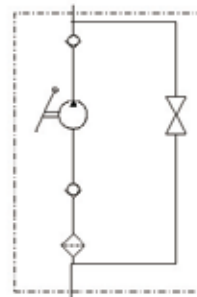
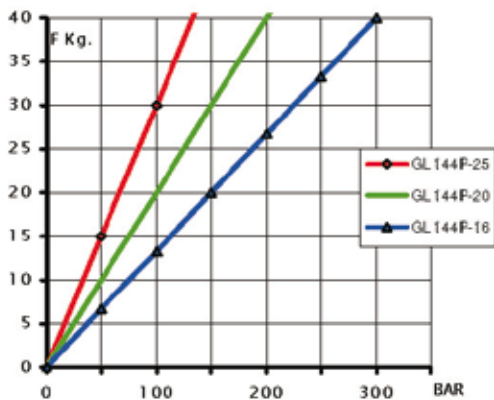
Weight kg. 3,5

- 1 Pressure Port
- 2 Suction
- 3 Release Field



TIPO - TYPE	PORTATA cc DELIVERY cc	PRESSIONE Bar PRESSURE Bar
GL 144P/16	3,6	250
GL 144P/20	5,6	160
GL 144P/24	8,1	100

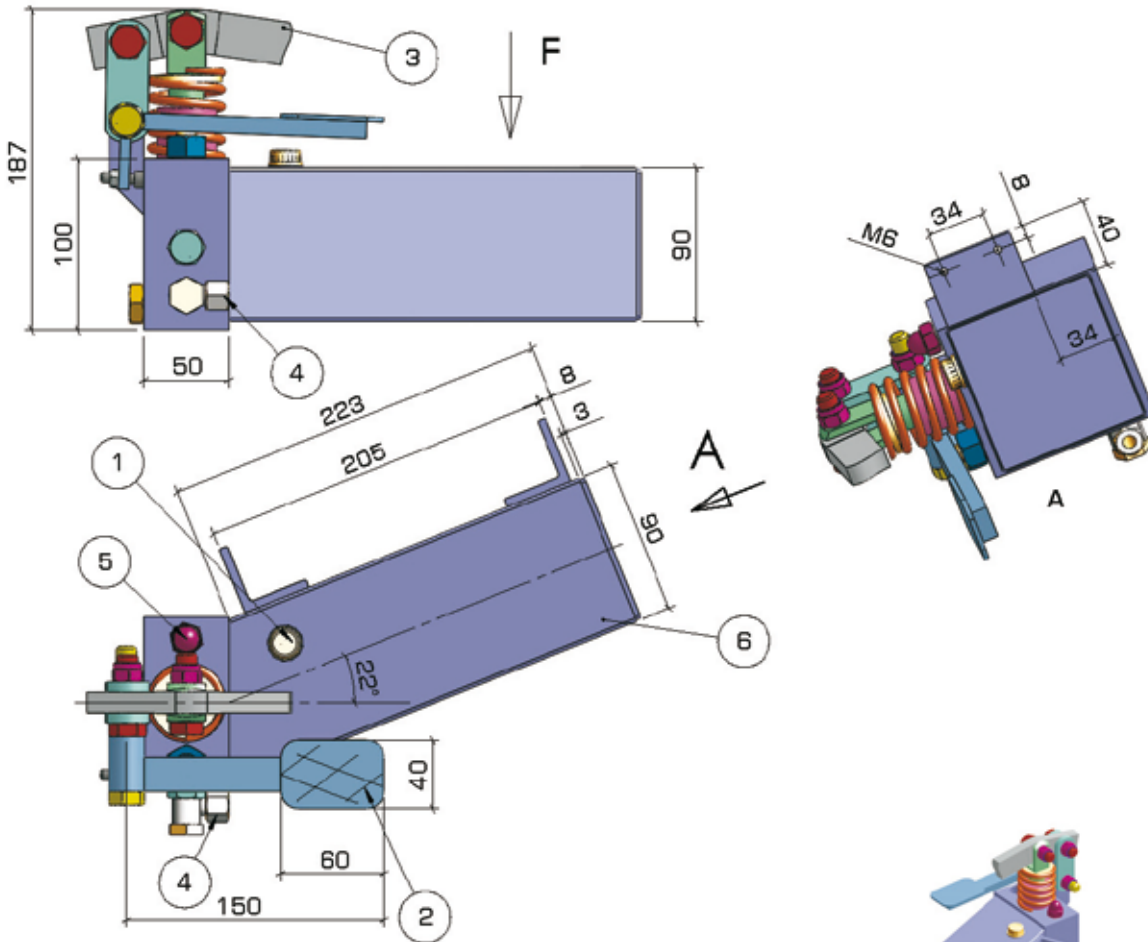
Mounting:



Dimensions and characteristics not binding. Modifications reserved without prior notice.

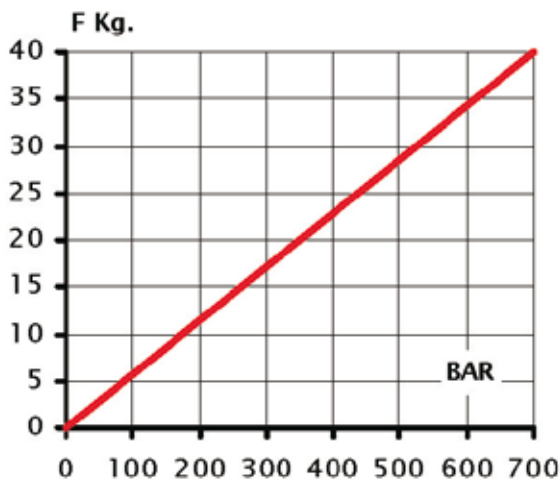
## Hydraulic Pedal Pump type GL 219

Single acting function pedal pump with relief valve and release foot pedal for single acting cylinder



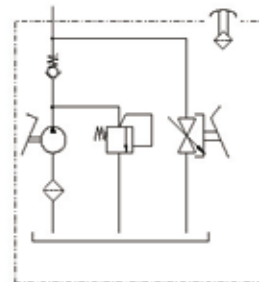
- 1 Filler Plug
- 2 Release foot pedal
- 3 Action foot pedal
- 4 Pressure port
- 5 Max. valve setting
- 6 Tank L. 1,2

Weight Kg ~10  
Pressure 650 Bar  
Delivery 19 cc  
Tank 1,2 L.



Mounting:

Only as dwg



Dimensions and characteristics not binding. Modifications reserved without prior notice.